

Bridge 25.7 Replacement

Project Description

The Alaska Railroad Corporation (ARRC) will replace the 360-foot 24-trestle timber bridge that crosses Lower Trail Lake at ARRC milepost 25.7, in Crown Point (about 4 miles south of Moose Pass), Alaska. The project will replace the aging structure with a new 360-foot 12-span steel beam bridge.

Purpose and Need

Bridge replacement will help ensure railroad infrastructure remains in a state of good repair. The integrity of critical rail corridor infrastructure ensures the safety and reliability of passenger and freight train operations to meet rail business demands. General bridge rehabilitation benefits are outlined in greater detail in the separate 2021 *Bridge Program* fact sheet.

Status

- Preliminary engineering, studies, environmental reviews and permitting began in 2020.
- Environmental documentation and permitting will be completed in 2021.
- Project construction will be bid in February 2022, with a contractor selected during spring 2022.
- Construction is scheduled to begin during the fourth quarter of 2022 and will continue into the first quarter of 2023.
- Project completion is estimated during the fourth quarter of 2023.

Cost and Funding

The project budget is \$8.22 million funded with an FY20 Consolidated Rail Infrastructure



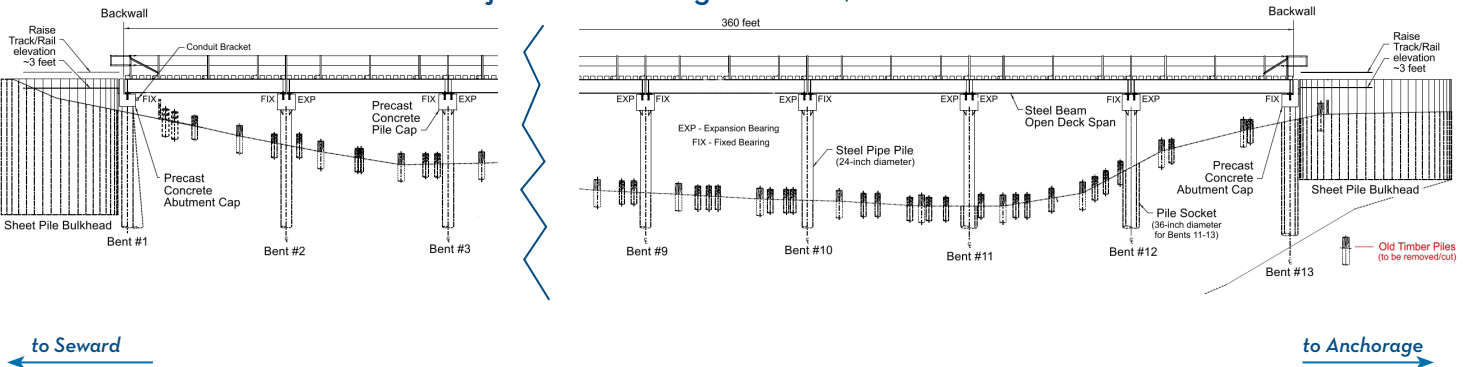
Bridge 25.7 crosses Lower Trail Lake, about 20 miles north of Seward and 4 miles south of Moose Pass.

and Safety Improvements Program (CRISI) grant from the Federal Railroad Administration (FRA). The grant is half (50%) funded by the FRA and 50% by the Alaska Railroad to satisfy the matching contribution required by CRISI grants.

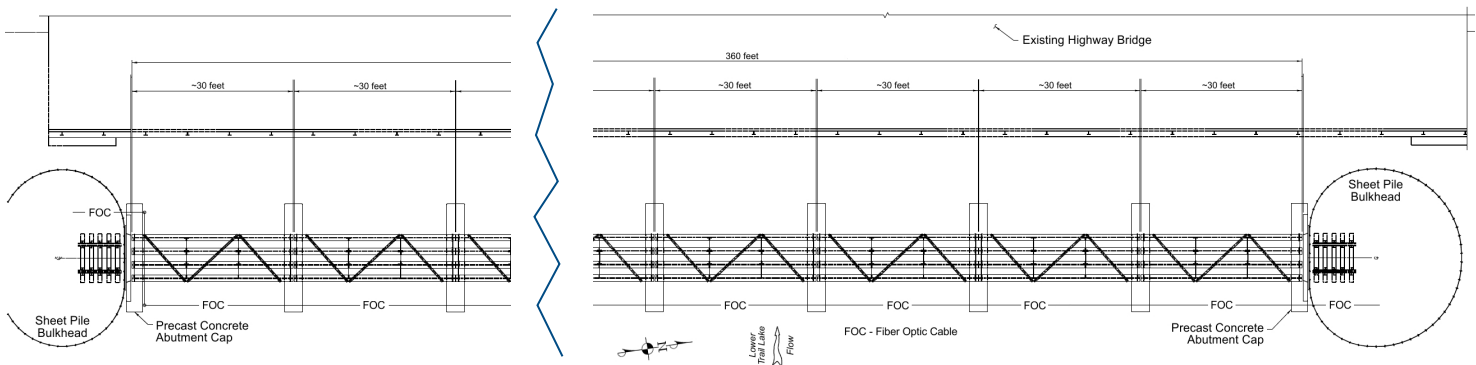
More Information

For more project information, email the Alaska Railroad at Public_Comment@akrr.com. The 2021 ARRC Bridge Program fact sheet is available at AlaskaRailroad.com > Corporate > Projects (look under *Systemwide Projects*).

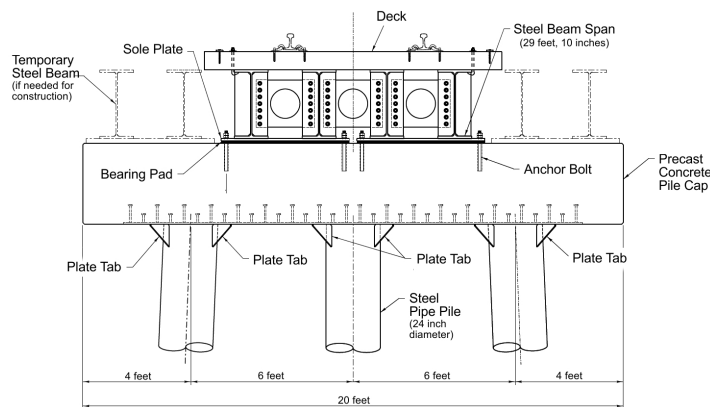
Project Area - Bridge MP 25.7, Side View



Project Area - Bridge MP 25.7, Top View



Project Area - Bridge MP 25.7, Bent and Pile Cross Section



Project work will include full replacement of the existing bridge. Left: a project drawing shows greater detail on replacing the bents and piles. Right: the photo shows existing bent-and-pile structure.