

# Bridge 355.2 Replacement

## Project Description

The Alaska Railroad Corporation (ARRC) will replace the 123-foot pony truss and 14-foot timber span that cross a drainage above the banks of the Nenana River, just south of Healy, at ARRC milepost 355.2. The project will replace the aging structure with a new 125-foot steel through-plate girder bridge and improved stabilization.

## Purpose and Need

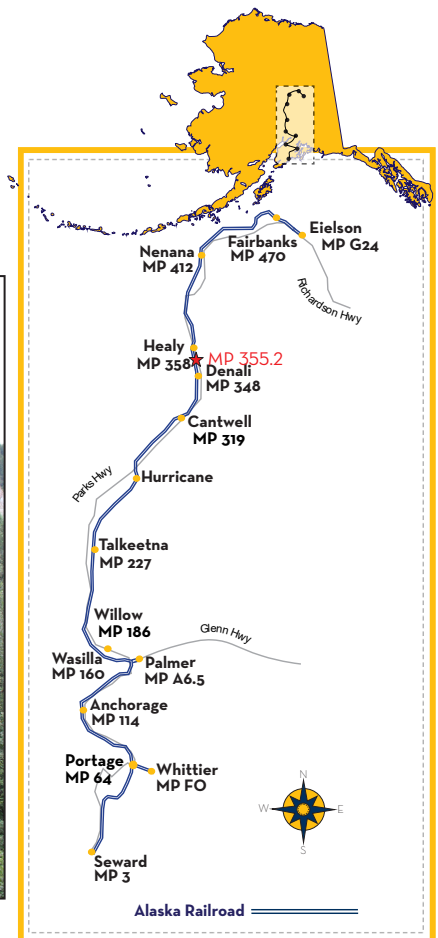
The existing pony truss is reaching the end of its useful life and replacement will help ensure railroad infrastructure remains in a state of good repair. The project is located in the erosion-prone Healy Canyon area. Erosion is addressed with more durable retaining walls on both ends of the new bridge. The integrity of bridge infrastructure ensures the safety and reliability of rail operations to meet business demands. General bridge rehabilitation benefits are outlined in the *Bridge Program* fact sheet available at [AlaskaRailroad.com](http://AlaskaRailroad.com).

## Status

- Preliminary project studies, environmental reviews, and design began in 2020.
- Project design will be completed in 2024.
- Pending National Environmental Policy Act (NEPA) and funding approved by the Federal Transit Administration (FTA), project construction will be bid and a contractor selected by first quarter of 2025.
- Construction is estimated to begin in third quarter of 2025 and continue into the third quarter of 2026.
- Completion is estimated by the end of 2026.



Bridge 355.2 crosses a drainage above the banks of the Nenana River.



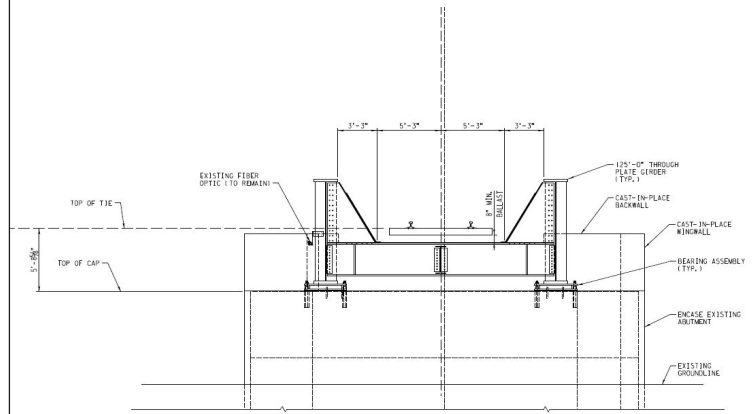
## Cost and Funding

The project cost is estimated to be \$14 million. Funding is anticipated to be 80% Federal Transit Administration funds with a required 20% match from ARRC.

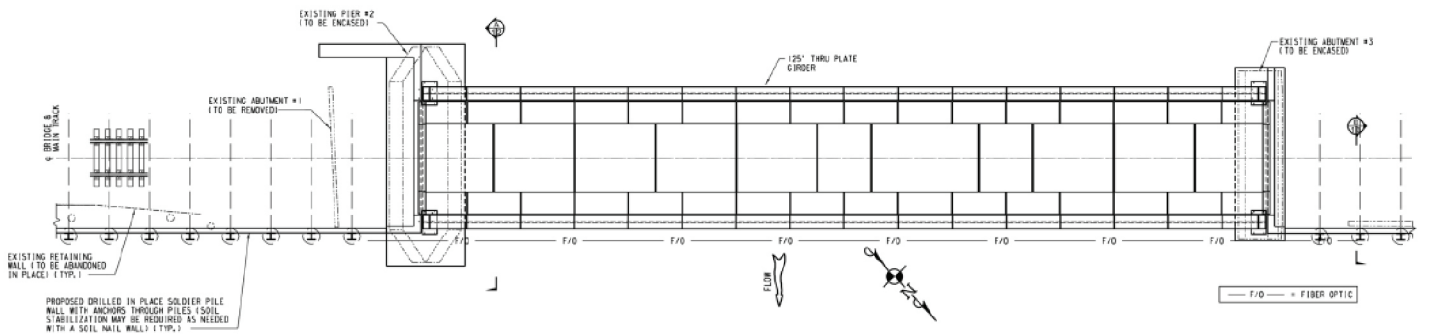
## More Information

For more project information, email the Alaska Railroad at [Public\\_Comment@akrr.com](mailto:Public_Comment@akrr.com). The ARRC Bridge Program fact sheet is available online at [AlaskaRailroad.com](http://AlaskaRailroad.com) > Corporate > Projects (look under *Systemwide Projects*).

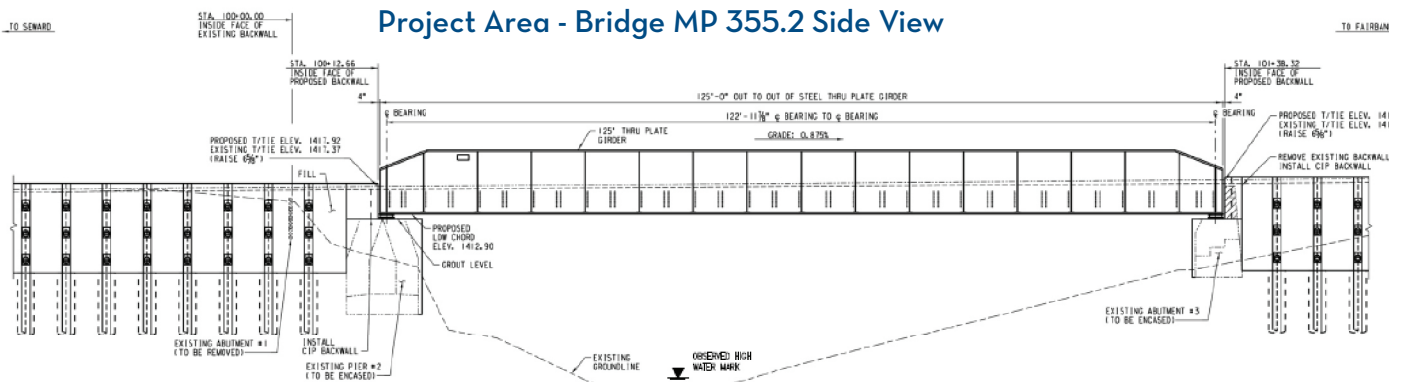
## Project Area - Bridge MP 355.2 Cross Section



## Project Area - Bridge MP 355.2 Top View



## Project Area - Bridge MP 355.2 Side View



A panoramic view of Bridge 355.2 shows the surrounding steep banks of the Nenana River.