



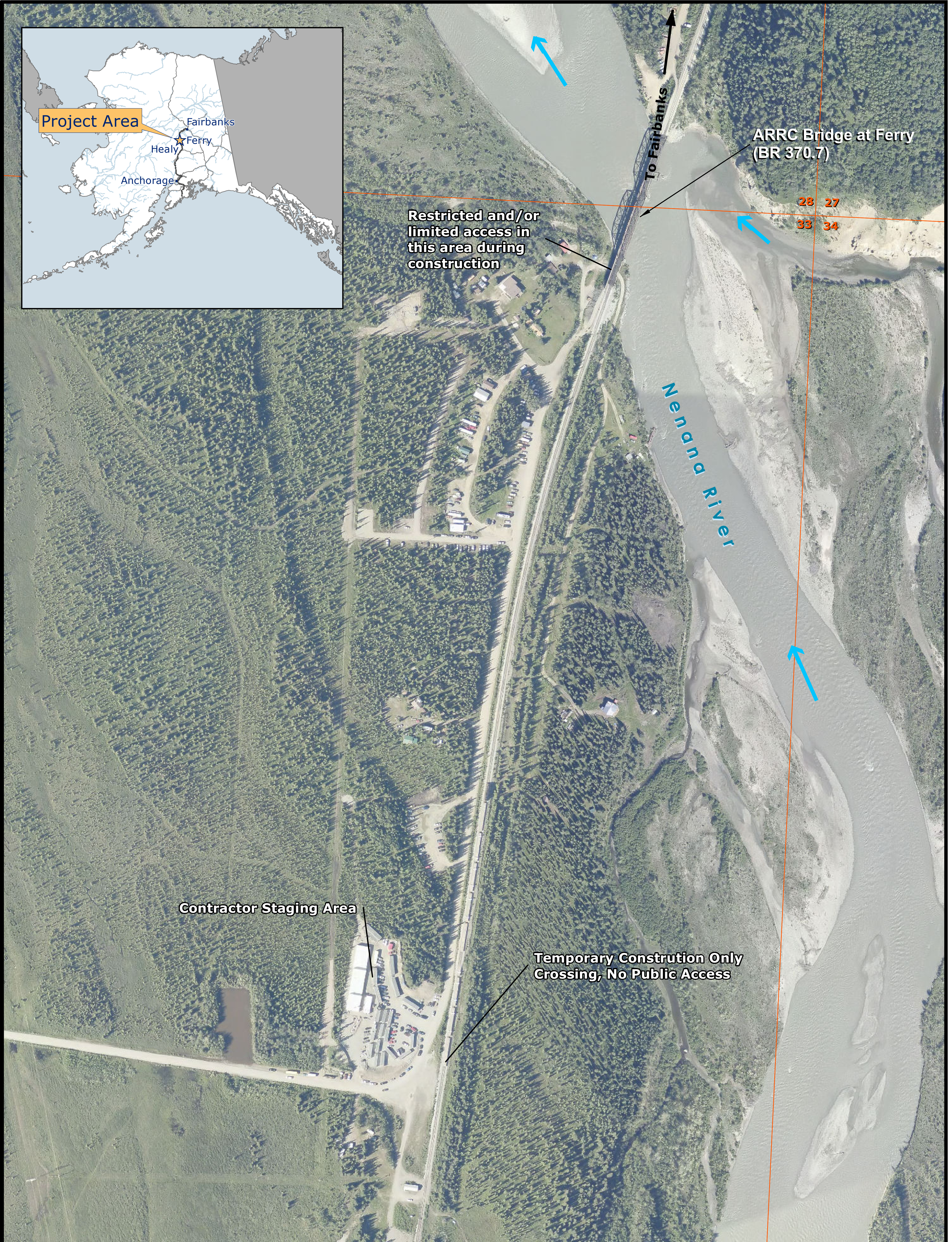
Welcome

Bridge MP 370.7 Pier Replacement Project Public Open House



Bridge MP 370.7 Pier Replacement Project

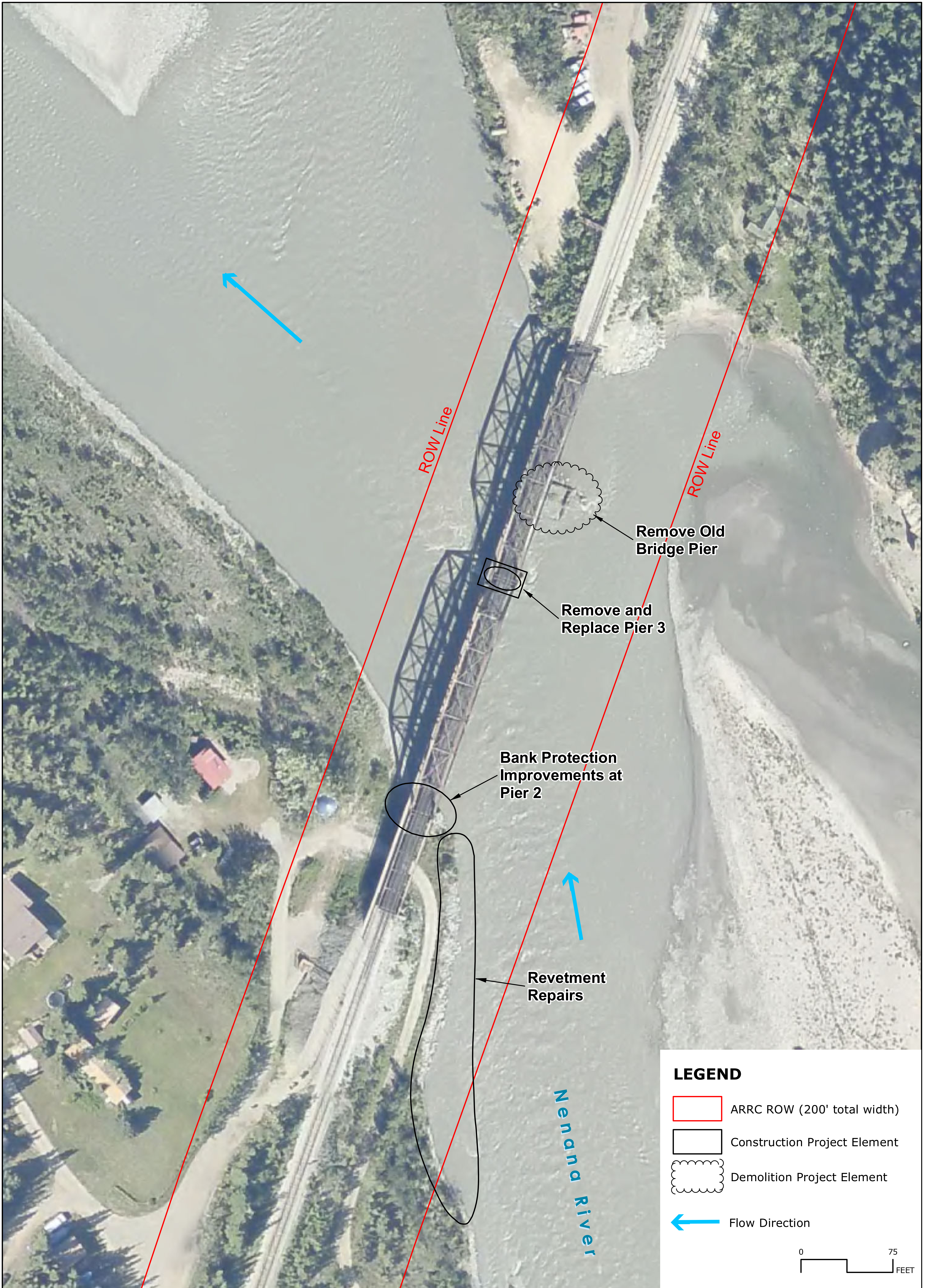




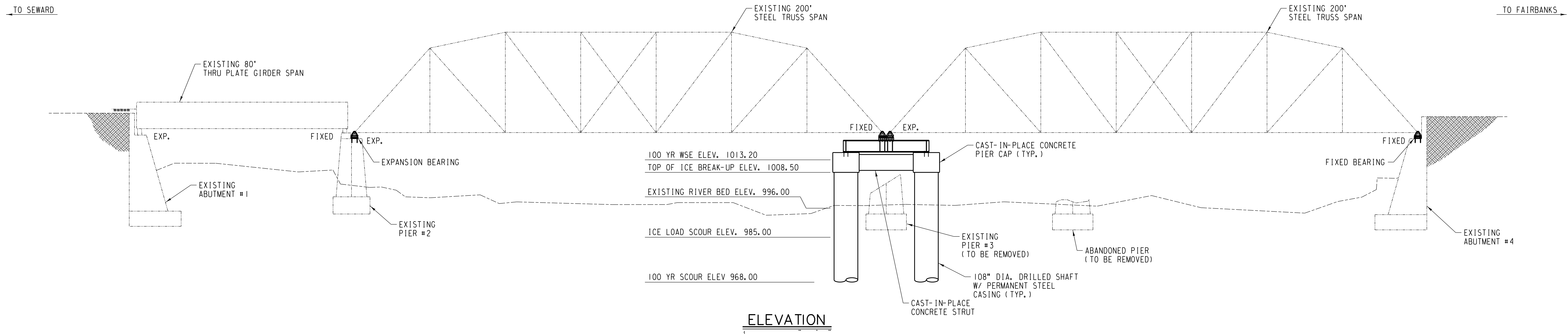
LEGEND

- Section
- ← Flow Direction
- 0 200
FEET
-

Township 10S, Range 8W, Fairbanks Meridian

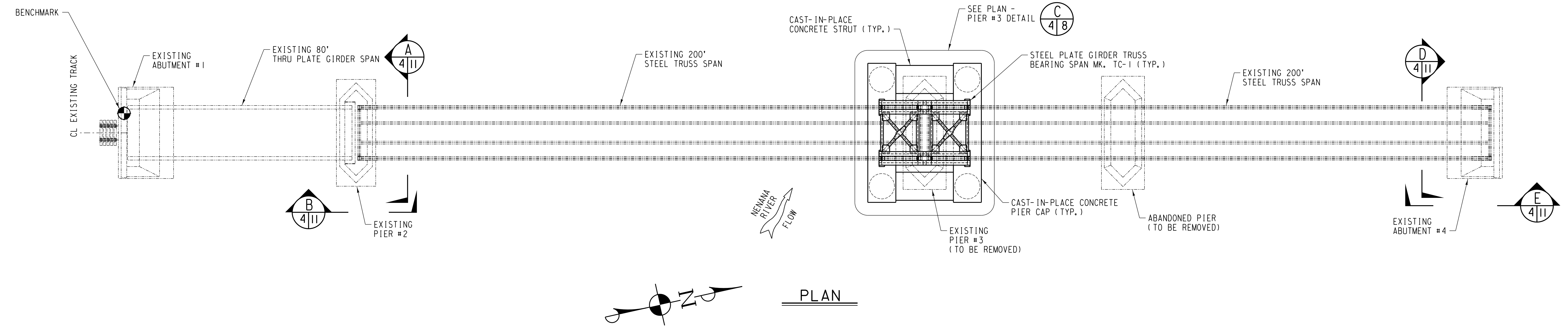


Bridge MP 370.7 Pier Replacement Project
Figure. 2

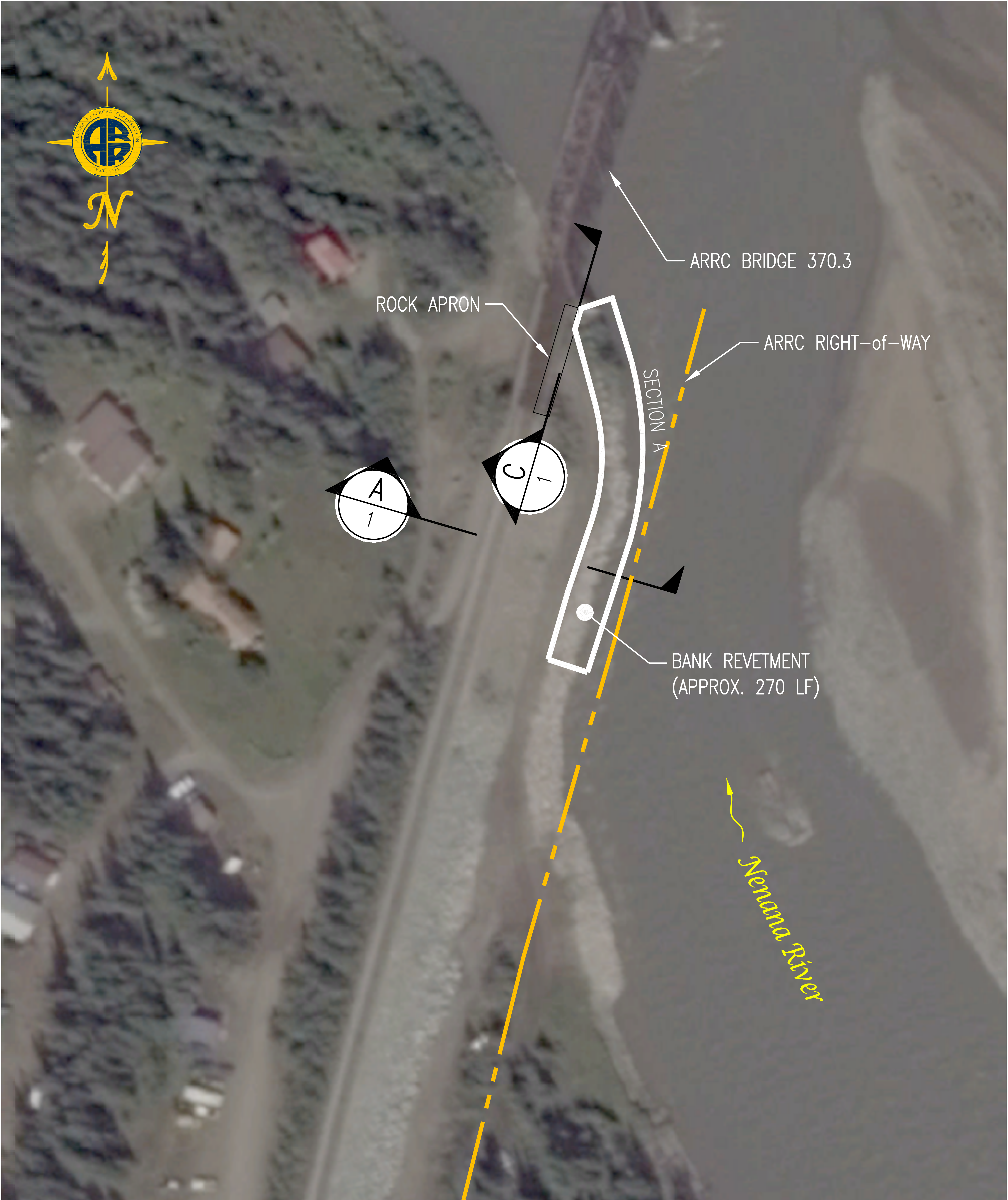


BORING TH-370.7-P2-1
ELEV. 1007.50

BORING TH-370.7-P4-2
ELEV. 1009.00

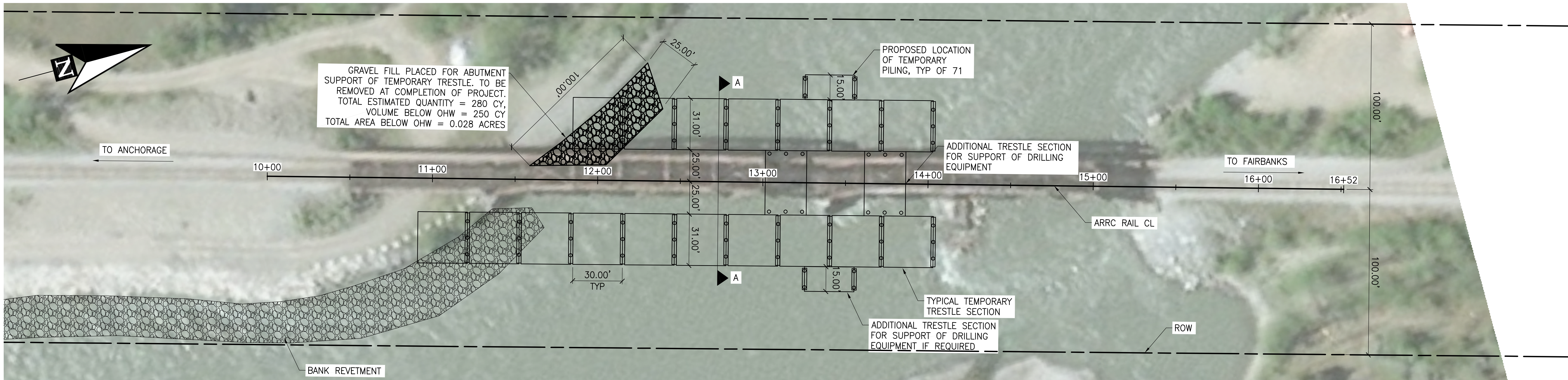


Bridge MP 370.7 Pier Replacement Project
Figure. 3

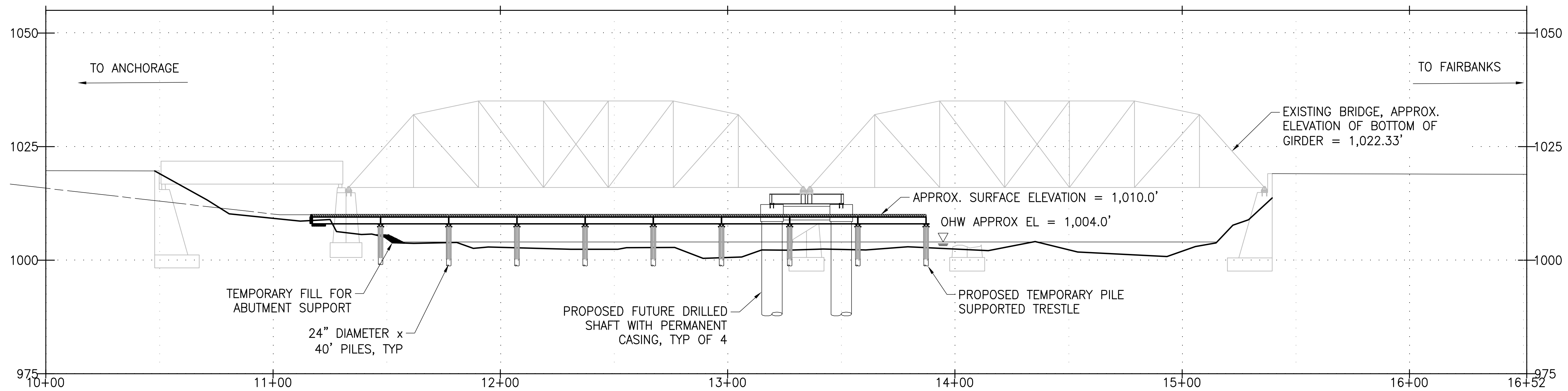


Bridge MP 370.7 Pier Replacement Project
Figure. 4

Temporary Trestle



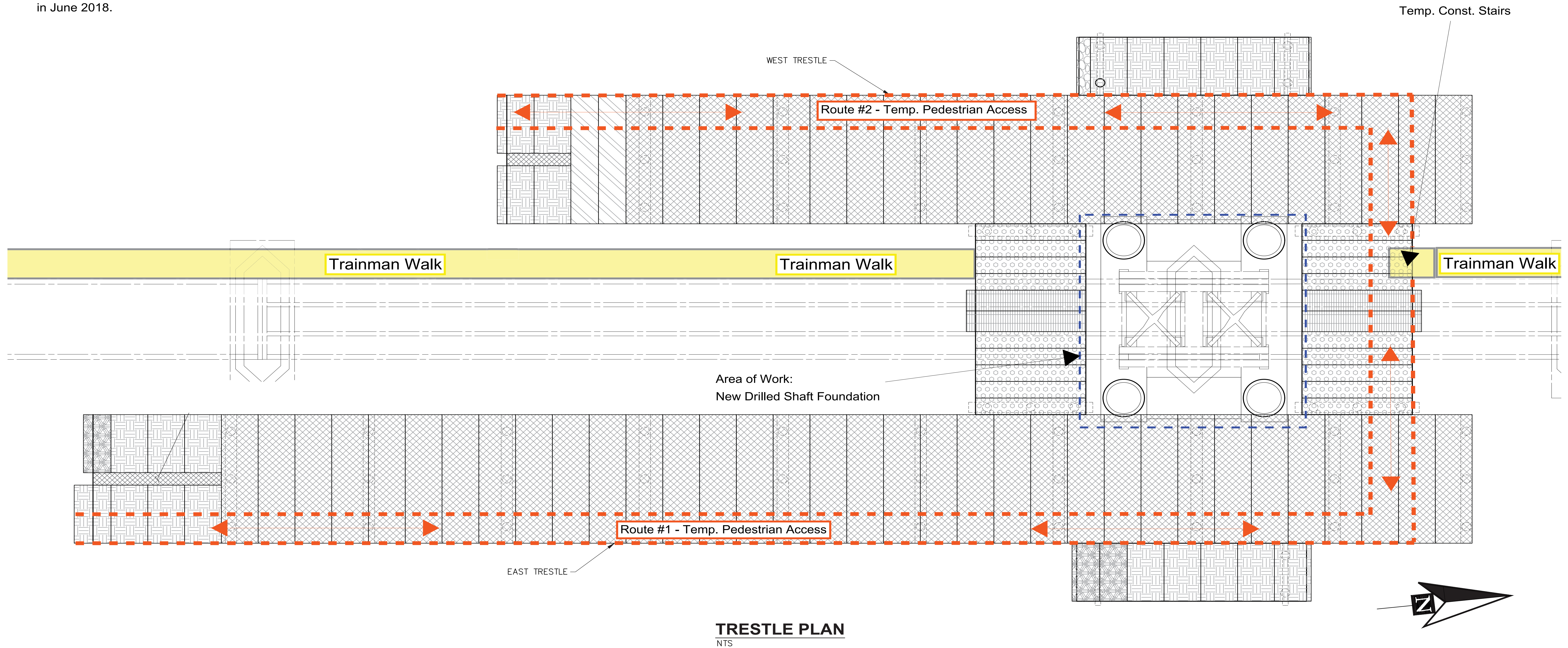
PLAN



PROFILE
SCALE 1H:10V

Comment:

A 100-ft section of trainman walk will be removed prior to drilled shaft construction activities in March 2018. Temporary construction with guardrail will be provided as a temporary access point to north section of the existing trainman walk. Trainman walk will be restored in June 2018.



--- Temp. Pedestrian Access Barrier



Temp. Pedestrian Access Route

Route #1 - Utilized during drilled shaft construction work on west trestle

Route #2 - Utilized during drilled construction work on east trestle

Only one temporary pedestrian access route will be "open" at a time during construction and will be clearly identified.

Preliminary Schedule

