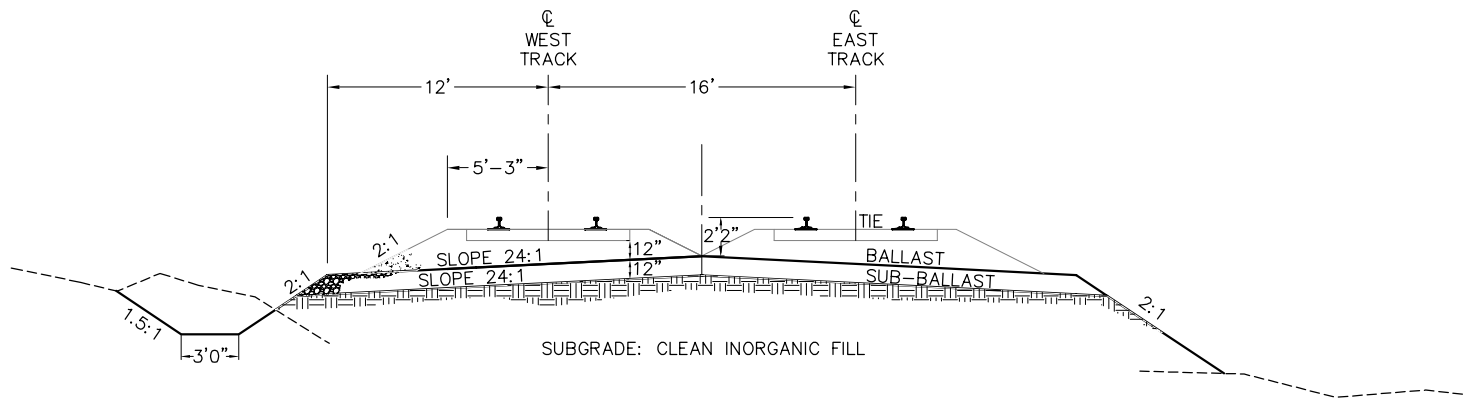
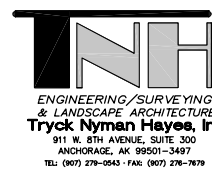



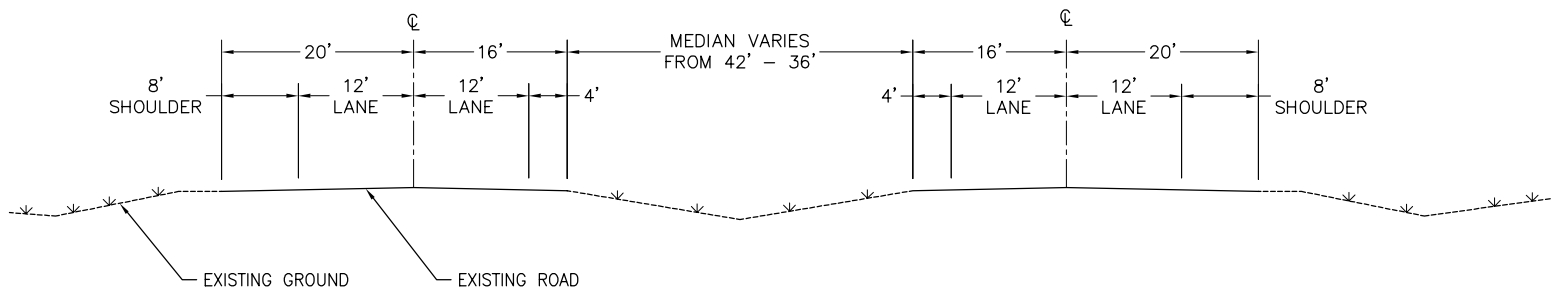
Appendix B



TYPICAL DOUBLE TRACK CROSS SECTION




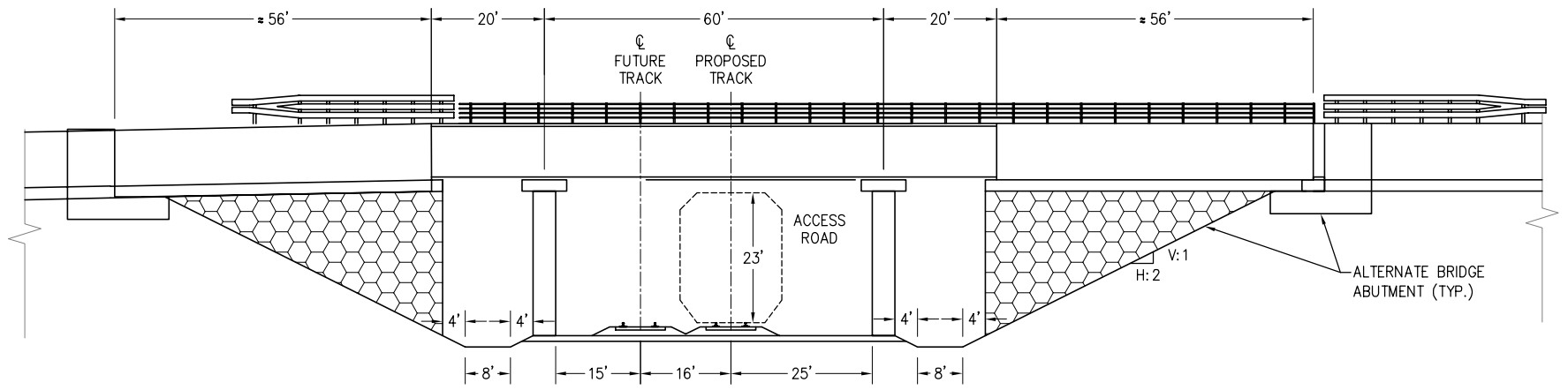
 ALASKA RAILROAD CORPORATION OFFICE OF THE CHIEF ENGINEER P.O. BOX 107500, ANCHORAGE, ALASKA 99510-7500 (907) 265-2456		
PROJECT: FAIRBANKS - NORTH POLE REALIGNMENT PHASE III - TECHNICAL ANALYSIS		
TITLE: APPENDIX B-1 TYPICAL DOUBLE TRACK CROSS SECTION		
DESIGNED BY: _____	SCALE: AS NOTED	AFE NO.:
DRAWN BY: _____	DATE: 01-26-2007	ACAD FILE: Frbks_Sec-S1-S6.dwg
CHECKED BY: _____		PAGE NO.
APPROVED BY: _____		B-1 OF P2



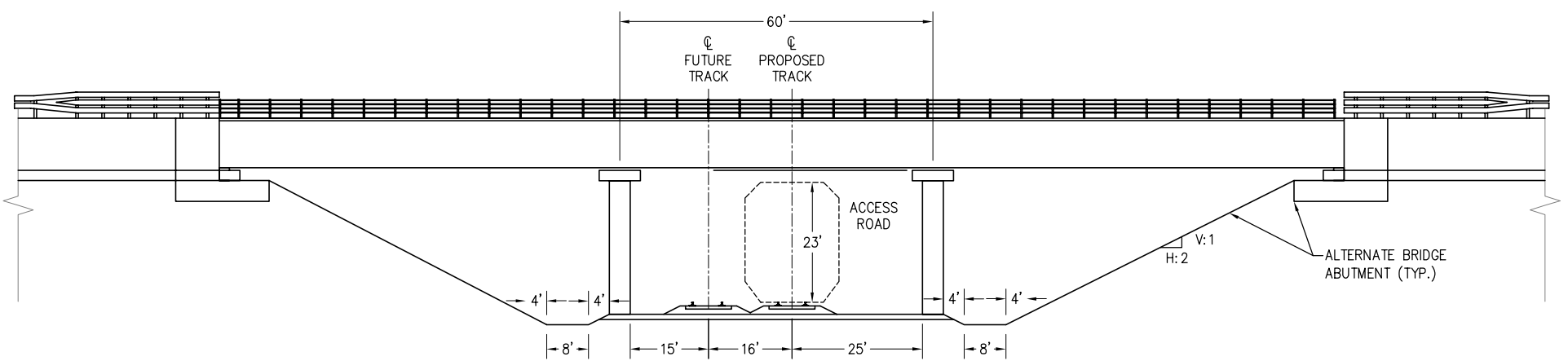
EXISTING PARKS HIGHWAY



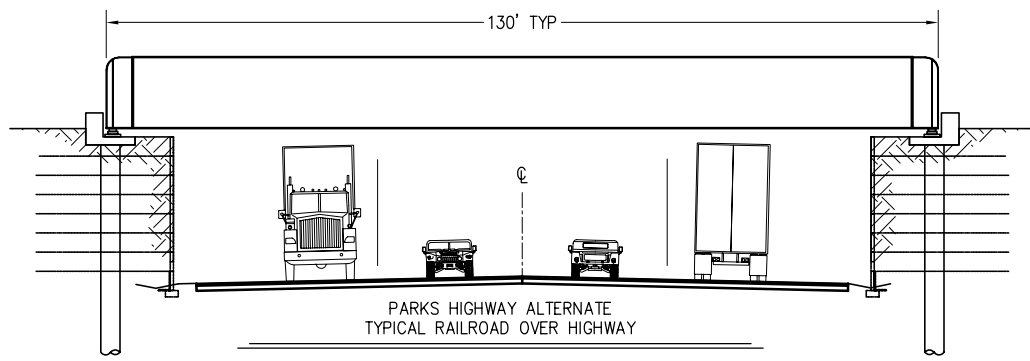
 ALASKA RAILROAD CORPORATION OFFICE OF THE CHIEF ENGINEER P.O. BOX 107500, ANCHORAGE, ALASKA 99510-7500 (907) 265-2456		
PROJECT: FAIRBANKS - NORTH POLE REALIGNMENT PHASE III - TECHNICAL ANALYSIS		
TITLE: APPENDIX B-2 PARKS HIGHWAY ALTERNATE EXISTING PARKS HIGHWAY		
DESIGNED BY: _____	SCALE: AS NOTED	AFE NO.:
DRAWN BY: _____	DATE: 01-26-2007	ACAD FILE: Frbks Sec-S1-S6.dwg
CHECKED BY: _____		PAGE NO.
APPROVED BY: _____		B-2 OF P2



PARKS HIGHWAY ALTERNATE
TYPICAL HIGHWAY OVER RAILROAD




ALTERNATE HIGHWAY OVER RAILROAD ELEVATION

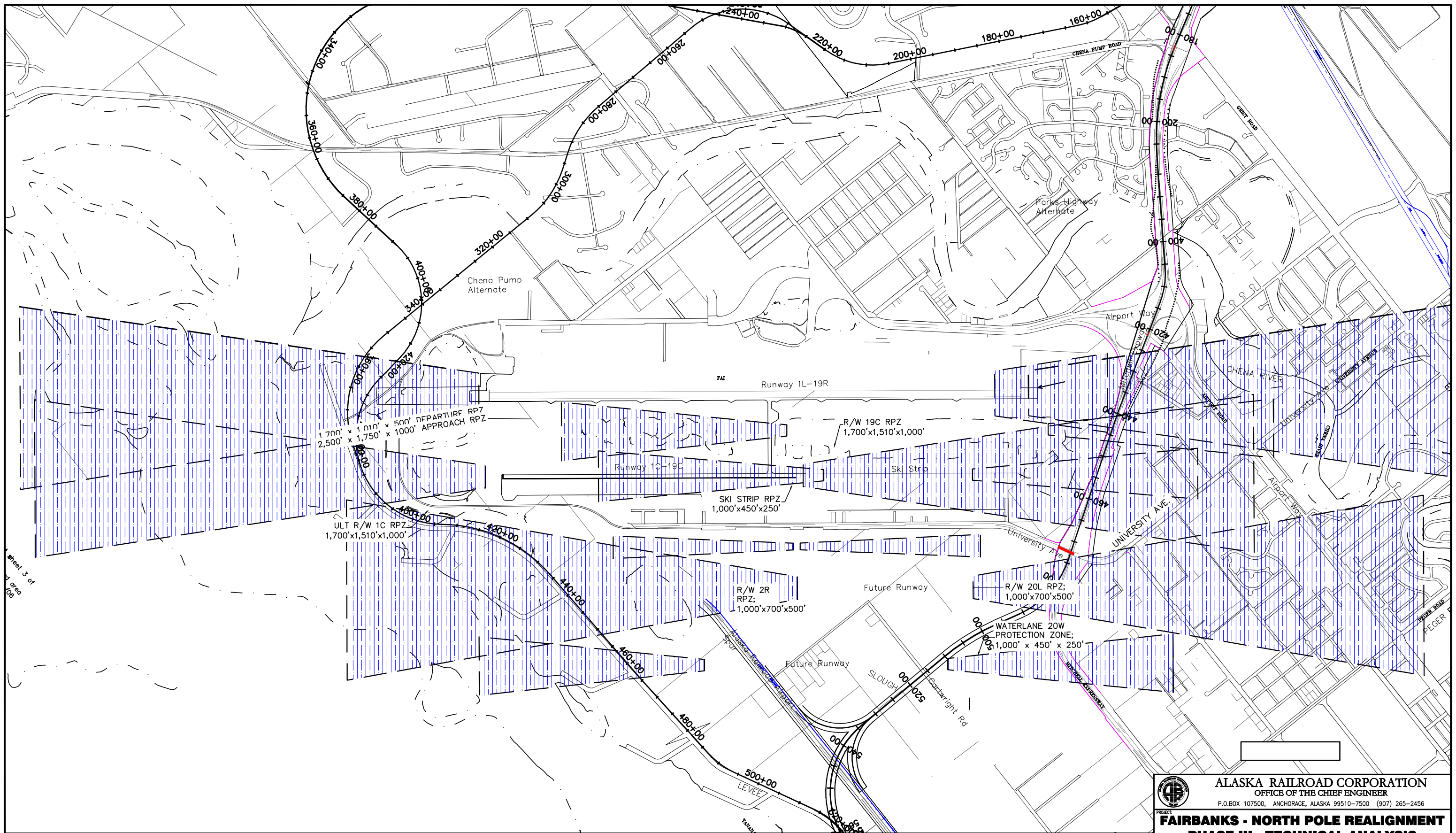


PARKS HIGHWAY ALTERNATE
TYPICAL RAILROAD OVER HIGHWAY

NOTE: HORIZONTAL DIMENSIONS ARE FOR PERPENDICULAR CROSSING ANGLES

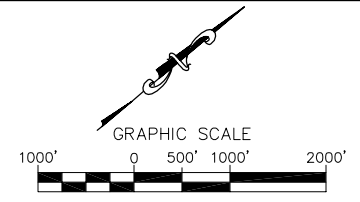


	ALASKA RAILROAD CORPORATION OFFICE OF THE CHIEF ENGINEER P.O. BOX 107500, ANCHORAGE, ALASKA 99510-7500 (907) 265-2456	
	PROJECT: FAIRBANKS - NORTH POLE REALIGNMENT PHASE III - TECHNICAL ANALYSIS	
TITLE: APPENDIX B-3 PARKS HIGHWAY ALTERNATE TYPICAL OVERPASS/UNDERPASS		AFE NO.: ACAD FILE: TYP BRIDGE B4.dwg PAGE NO.
DESIGNED BY: _____ DRAWN BY: _____ CHECKED BY: _____ APPROVED BY: _____	SCALE: AS NOTED DATE: 01-26-2007	B-3 OF P2




Sheet 3 of 4 area 106

--- F.A.R. Part 77 Approach Surface (Existing and Ultimate)
 --- Runway Protection Zone (RPZ)



TNH
 ENGINEERING, SURVEYING
 & LANDSCAPE ARCHITECTURE
 Tryck Nyman Hayes, Inc.
 911 W. 8TH AVENUE, SUITE 300
 ANCHORAGE, AK 99501-3497
 TEL: (907) 278-0565 • FAX: (907) 278-7879

 ALASKA RAILROAD CORPORATION OFFICE OF THE CHIEF ENGINEER P.O. BOX 107500, ANCHORAGE, ALASKA 99510-7500 (907) 265-2456		
PROJECT: FAIRBANKS - NORTH POLE REALIGNMENT PHASE III - TECHNICAL ANALYSIS		
TITLE: APPENDIX B-4 FAIRBANKS AIRPORT RUNWAY APPROACH SURFACES		
DESIGNED BY:	SCALE: AS NOTED	AFE NO.:
DRAWN BY:	DATE: 01-26-2007	ACAD FILE: Fairbanks Airport Runway
CHECKED BY:		PAGE NO.:
APPROVED BY:		B4 OF P2