

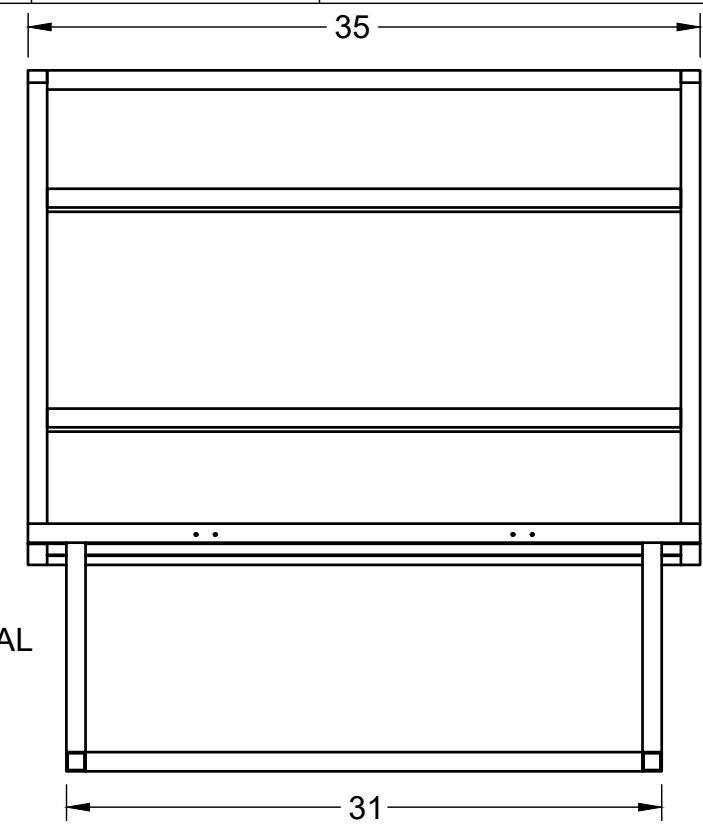
1/8
1/8 TYPICAL

FINISH: SHOP APPLIED
EPOXY BASED COATING.
COLOR: BLACK



ARR 352 DOUBLE SEAT FRAME BOM

ITEM	QTY	DESCRIPTION
1	1	'ARR 352 SINGLE SEAT FRAME' ITEM 1
2	2	'ARR 352 SINGLE SEAT FRAME' ITEM 2
3	4	'ARR 352 SINGLE SEAT FRAME' ITEM 3
4	4	'ARR 352 SINGLE SEAT FRAME' ITEM 4
5	2	'ARR 352 SINGLE SEAT FRAME' ITEM 5
6	2	'ARR 352 SINGLE SEAT FRAME' ITEM 6
7	4	'ARR 352 SINGLE SEAT FRAME' ITEM 7
8	2	'ARR 352 SINGLE SEAT FRAME' ITEM 8
9	4	'ARR 352 SINGLE SEAT FRAME' ITEM 9
10	4	'ARR 352 SINGLE SEAT FRAME' ITEM 10
11	2	'ARR 352 SINGLE SEAT FRAME' ITEM 11
12	1	'ARR 352 SINGLE SEAT FRAME' ITEM 12
13	1	'ARR 352 SINGLE SEAT FRAME' ITEM 13

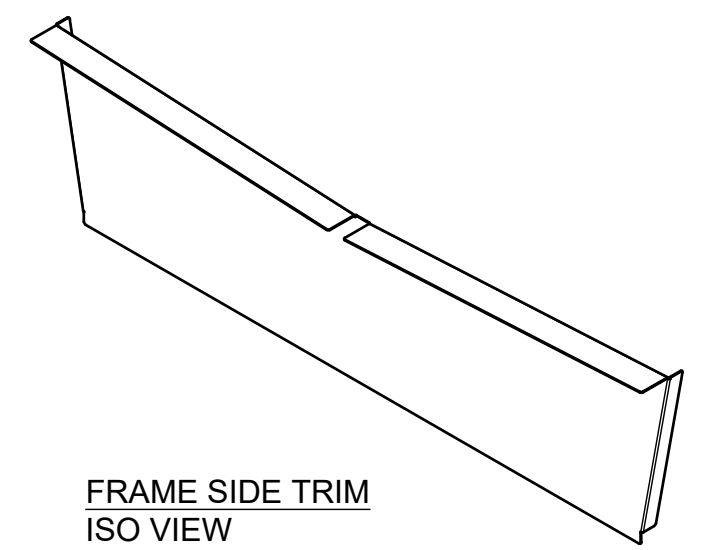
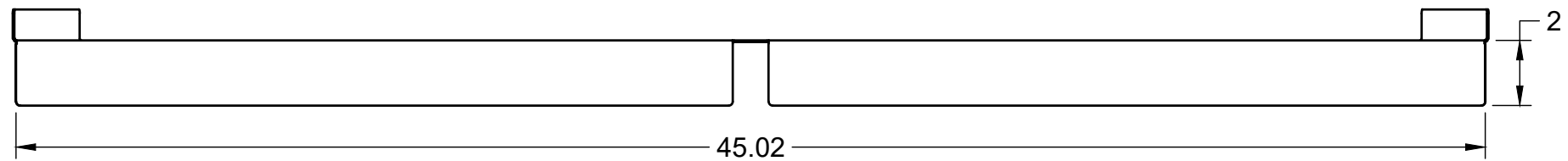


**NOTE: SEE DRAWING
"ARR 352 SINGLE SEAT
FRAME" SHEET 2 OF 3
FOR DOUBLE SEAT
FRAME ITEM
FABRICATION DETAILS.**

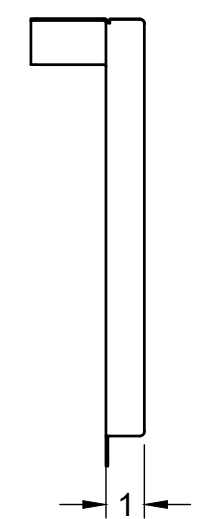
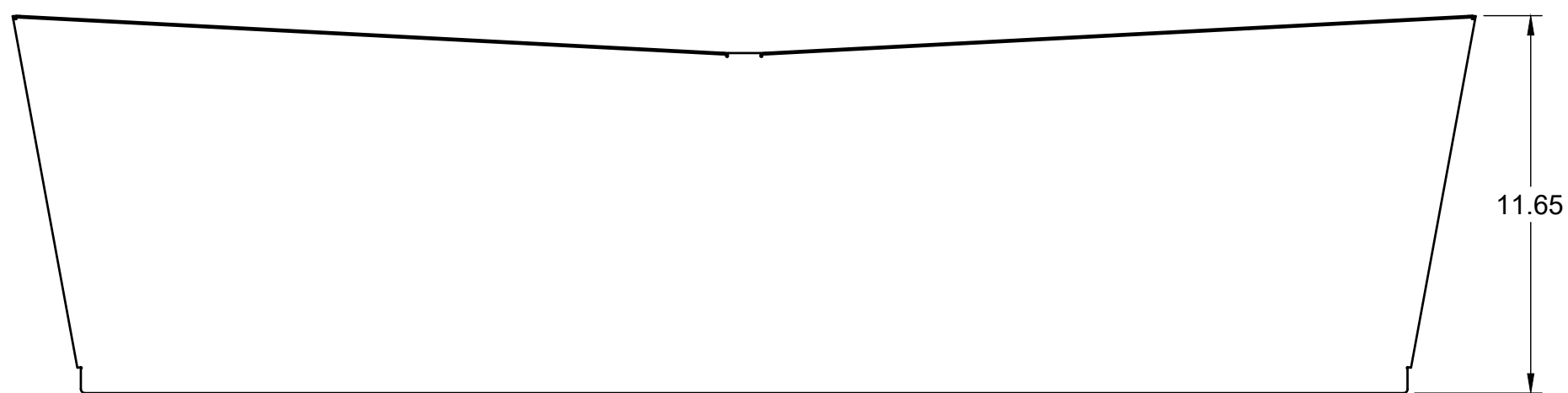


ALASKA RAILROAD
CORPORATION
ENGINEERING SERVICES

PROJECT		MOTIVE POWER AND EQUIPMENT PASSENGER COACHES	
TITLE			
ARR 352 DOUBLE SEAT FRAME FRAME ASSEMBLY			
APPROVED ARRC	SCALE 1:10	SHEET 1/2	
CHECKED ARRC	DATE 8/11/2022		
DRAWN CDL			




FRAME SIDE TRIM
ISO VIEW



DOUBLE FRAME SIDE TRIM

MATERIAL: 18GA 304 SS #4 BRUSH FINISH
 PN ARR-352-0003
 SEE DXF FILE FOR FLAT PATTERN SHAPE
 QTY (1) PER ASSEMBLY

 ALASKA RAILROAD CORPORATION ENGINEERING SERVICES	PROJECT MOTIVE POWER AND EQUIPMENT PASSENGER COACHES		
	TITLE ARR 352 DOUBLE SEAT FRAME TRIM		
	APPROVED ARRC	SCALE 1:5	SHEET 2/2
	CHECKED ARRC	DATE 8/11/2022	
DRAWN CDL			