

GENERAL ELEVATION
SCALE: 1/16" = 1'-0"

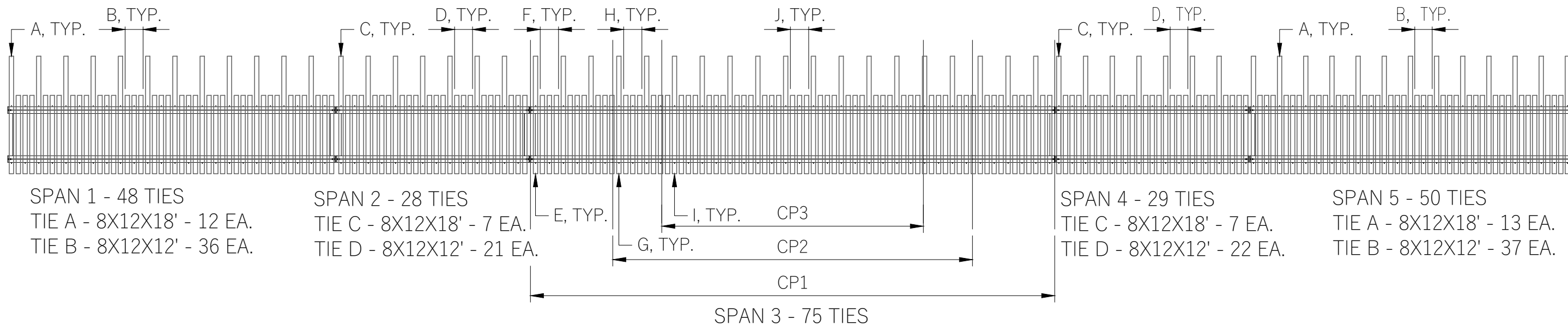
APPROX. SPACING OF
1'-0 1/2" ON SPAN 1

APPROX. SPACING
OF 1'-0 1/2" ON SPAN 2

APPROX. SPACING
OF 1'-0 3/4" ON SPAN 3

APPROX. SPACING
OF 1'-0 1/4" ON SPAN 4

APPROX. SPACING
OF 1'-0" ON SPAN 5



SPAN 1 - 48 TIES
TIE A - 8X12X18' - 12 EA.
TIE B - 8X12X12' - 36 EA.

SPAN 2 - 28 TIES
TIE C - 8X12X18' - 7 EA.
TIE D - 8X12X12' - 21 EA.


TIE E (CP1) - 8X12X18' - 6 EA.
TIE F (CP1) - 8X12X12' - 18 EA.
TIE G (CP2) - 8X12X18' - 4 EA.
TIE H (CP2) - 8X12X12' - 10 EA.
TIE I (CP3) - 8X12X18' - 9 EA.
TIE J (CP3) - 8X12X12' - 28 EA.

SPAN 4 - 29 TIES
TIE C - 8X12X18' - 7 EA.
TIE D - 8X12X12' - 22 EA.

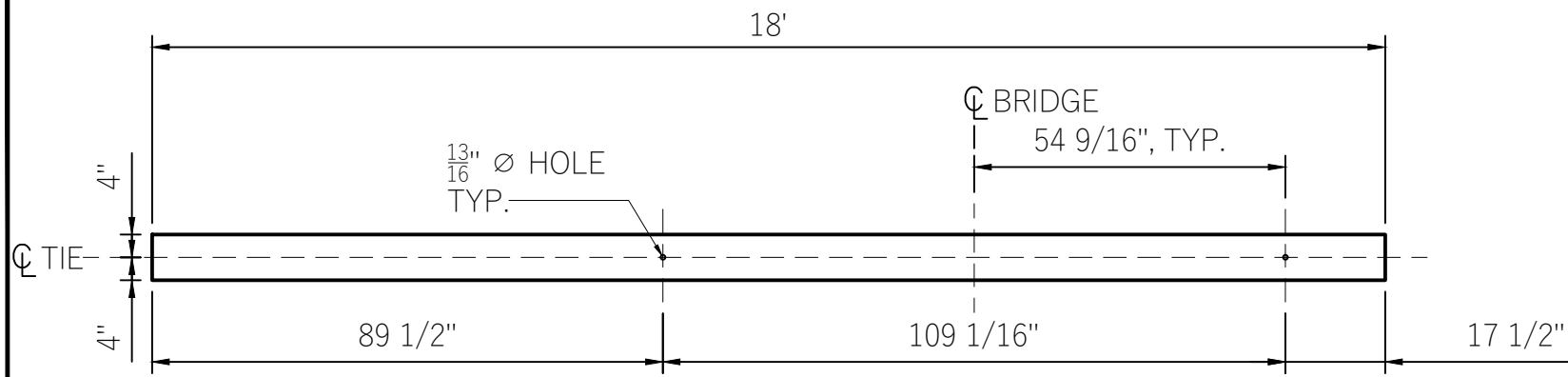
SPAN 5 - 50 TIES
TIE A - 8X12X18' - 13 EA.
TIE B - 8X12X12' - 37 EA.

GENERAL PLAN VIEW
SCALE: 1/16" = 1'-0"

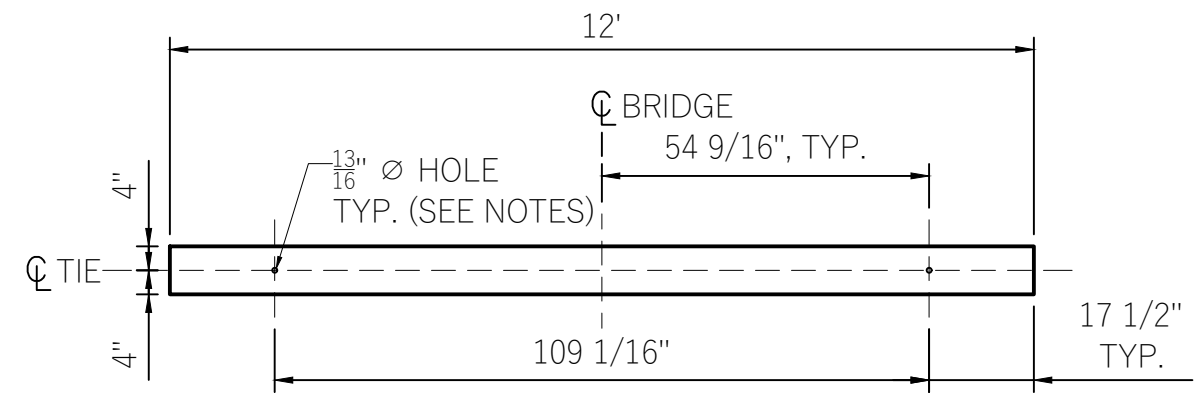
P:\Engineering\Bridges\BR 292.3\Drawings\Tie Replacement\ARRC Br. 292.3 Ties.dwg VPort: GENERAL PLAN Plot Style: 750C-Half.ctb

 ALASKA RAILROAD CORPORATION ENGINEERING SERVICES P.O. BOX 107500, ANCHORAGE, ALASKA 99510-7500		
PROJECT :		
BR. 292.3 TIE PLANS		
TITLE:		
GENERAL ELEVATION AND PLAN VIEWS		
DESIGNED BY: AKRR	SCALE : AS NOTED	AFE NO.:
DRAWN BY: BSI	DATE : 01/31/2022	ACAD FILE:
CHECKED BY: DJS		DWG NO.
APPROVED BY: DJS		1 OF 5

P:\Engineering\Bridges\BR 292_3\Drawings\Tie Replacement\ARRC Br. 292.3 Ties.dwg VPort: SPANS 1&5 Plot Style: 750C-Half_20211103.ctb

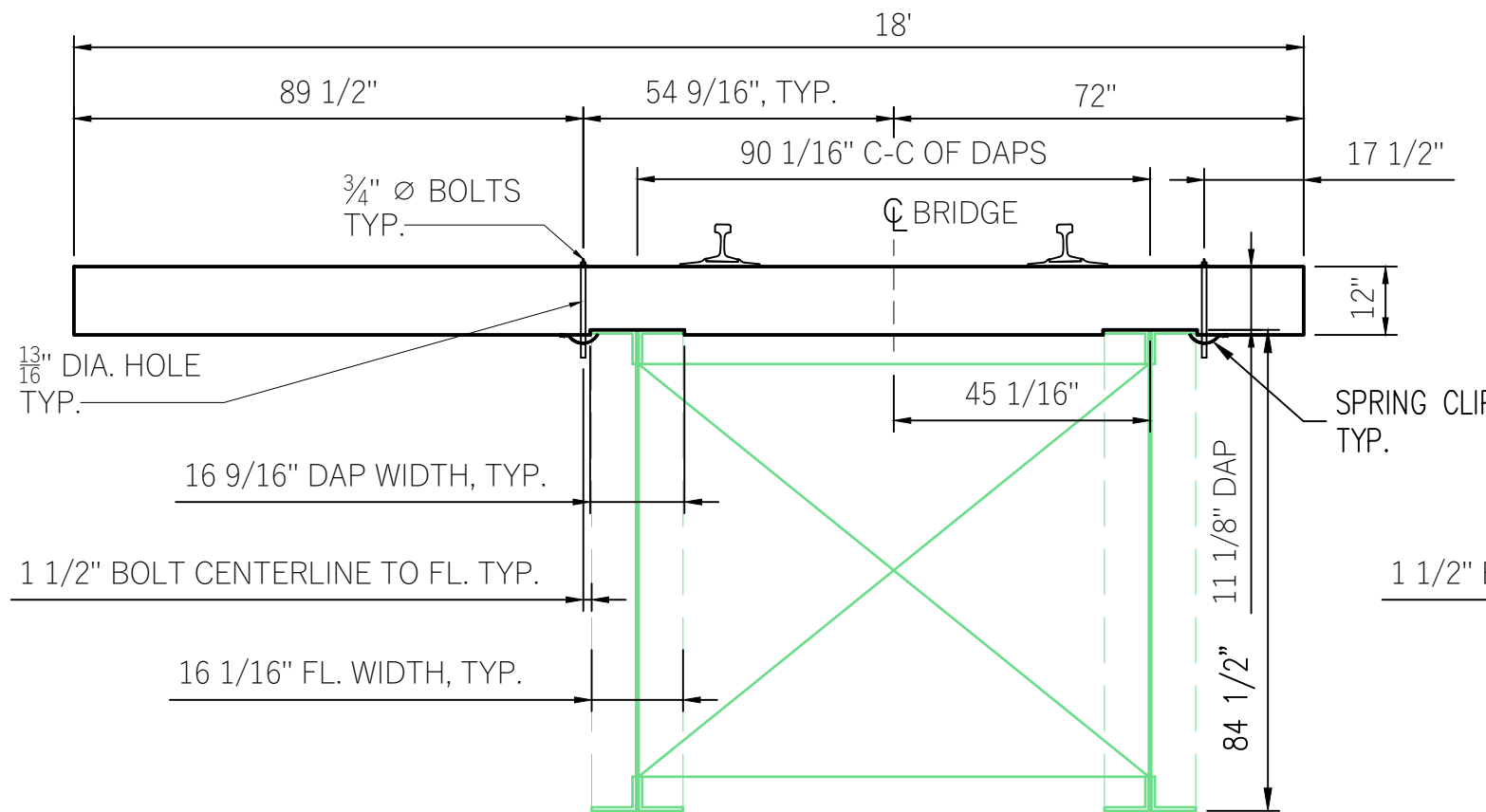


PLAN VIEW AT TIE A
SCALE: 3/8" = 1'-0"



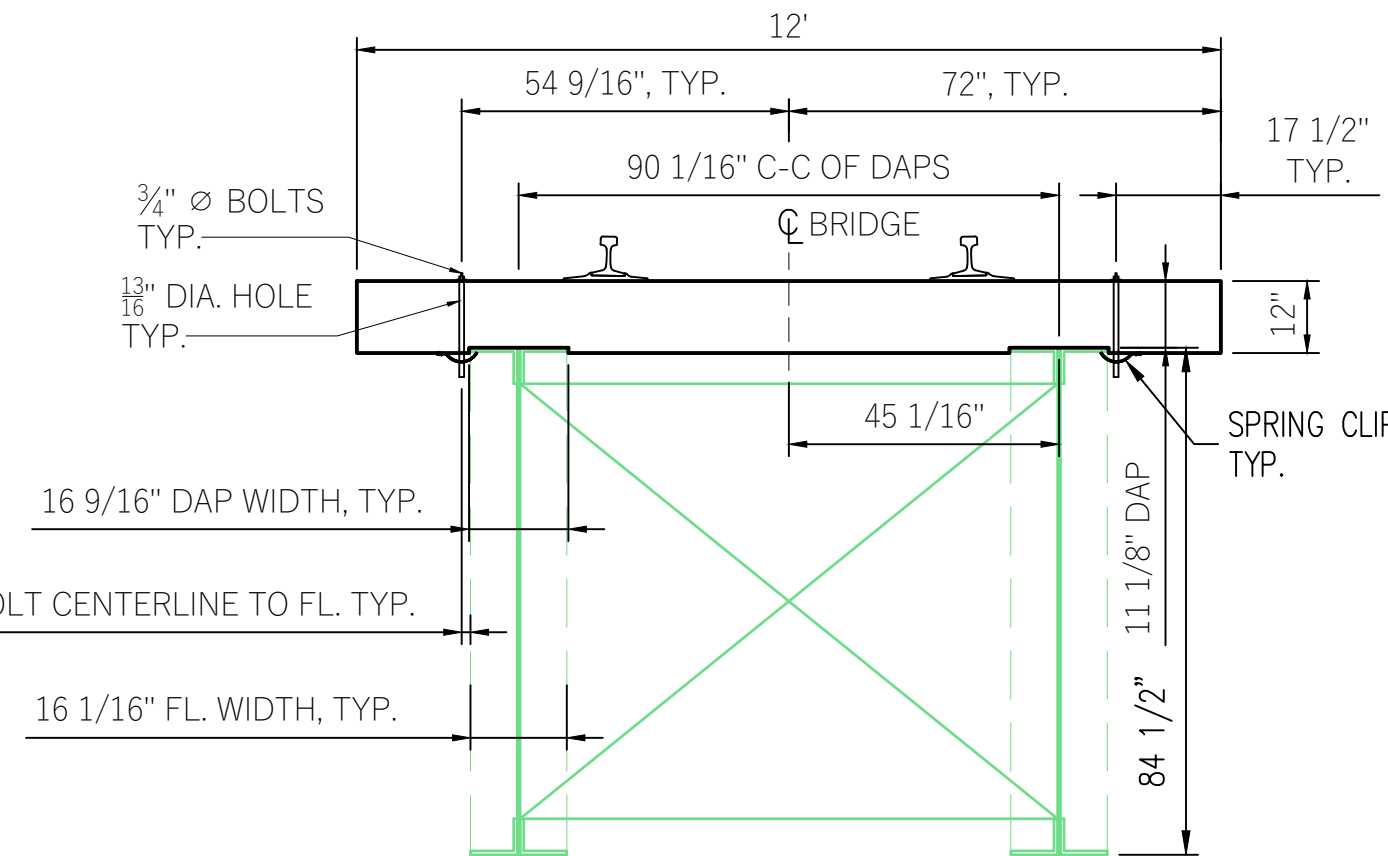
PLAN VIEW AT TIE B
SCALE: 3/8" = 1'-0"

NOTE:
24 TIES REQUIRE HOLES FOR BOLTS




**8"X12"X18' - BRIDGE TIE
CROSS SECTION AT TIE A (25 REQ'D)**
SCALE: 3/8" = 1'-0"

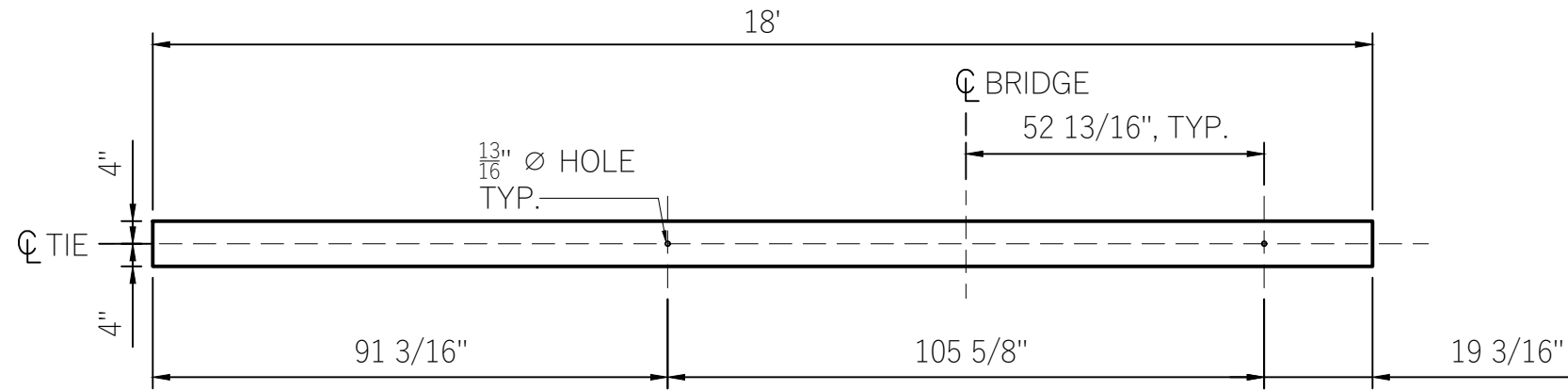
NOTE:
OTHER SPAN CROSS SECTIONS ARE SIMILAR



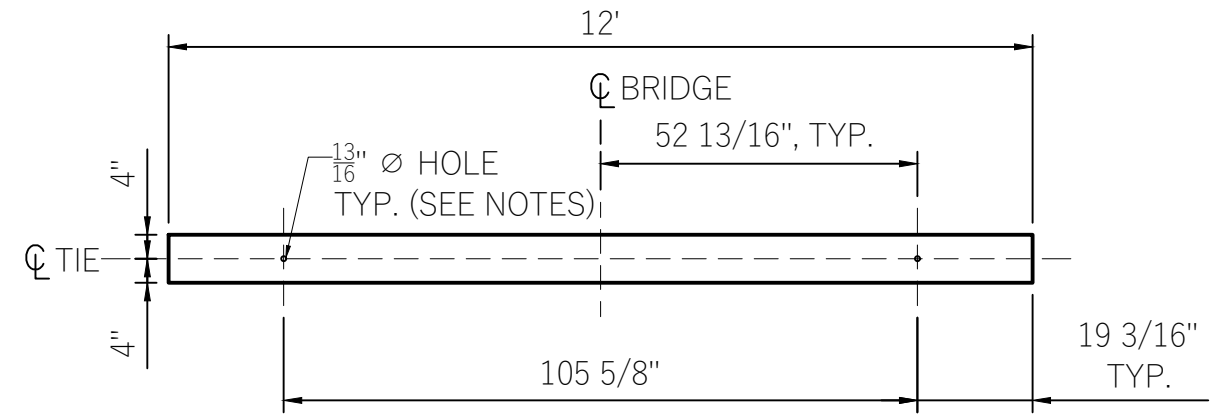
**8"X12"X12' - BRIDGE TIE
CROSS SECTION AT TIE B (73 REQ'D)**
SCALE: 3/8" = 1'-0"

 ALASKA RAILROAD CORPORATION ENGINEERING SERVICES P.O. BOX 107500, ANCHORAGE, ALASKA 99510-7500		
PROJECT : BR. 292.3 TIE PLANS		
TITLE: SPANS 1 & 5 TIES A & B, PLAN AND SECTION		
DESIGNED BY: AKRR	SCALE : AS NOTED	AFE NO.:
DRAWN BY: BSI	DATE : 01/31/2022	ACAD FILE:
CHECKED BY: DJS		DWG NO. 2 OF 5
APPROVED BY: DJS		

P:\Engineering\Bridges\BR_292_3\Drawings\Tie Replacement\ARRC Br. 292.3 Tres.dwg VPort: SPANS 2&4 Plot Style: 750C-Half_20211103.ctb

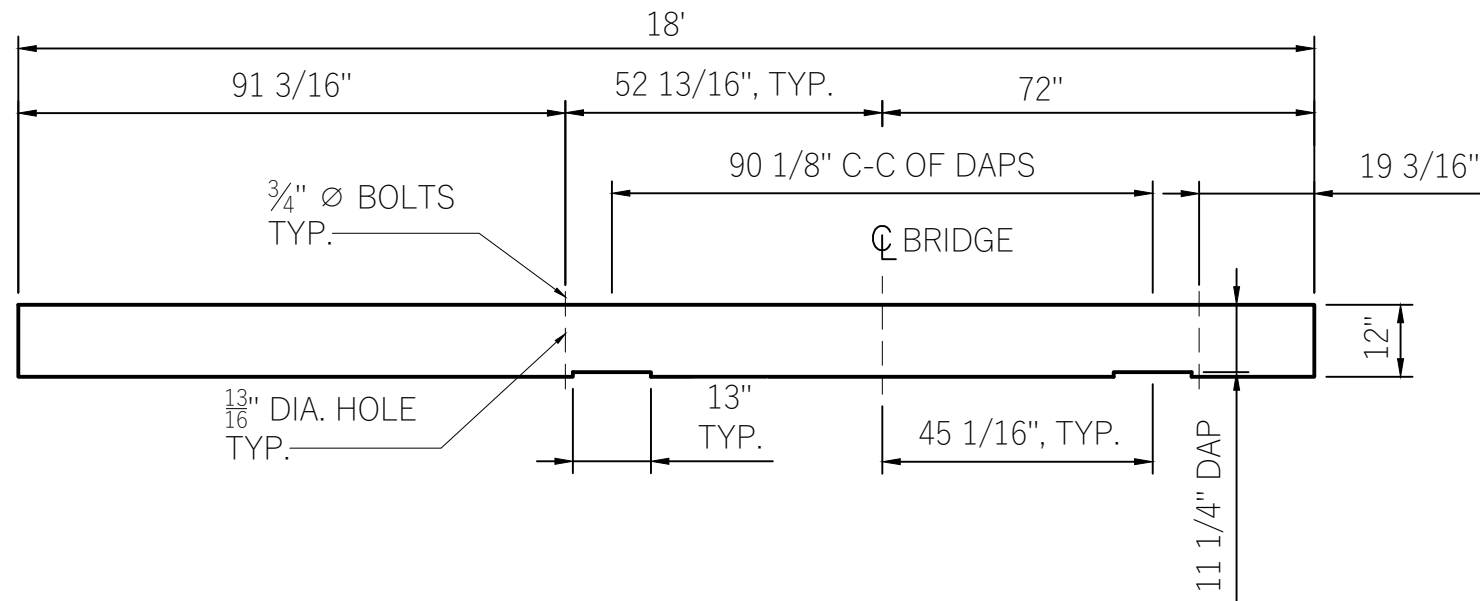


PLAN VIEW AT TIE C
SCALE: 3/8" = 1'-0"

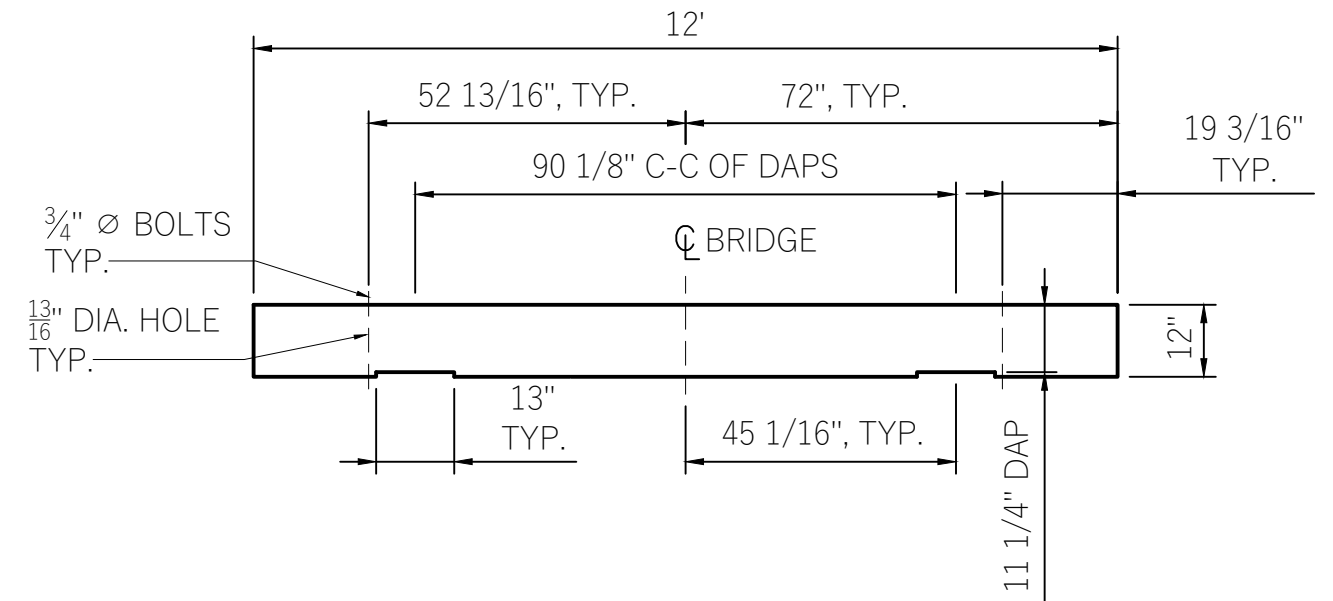


PLAN VIEW AT TIE D
SCALE: 3/8" = 1'-0"


NOTE:
15 TIES REQUIRE HOLES FOR BOLTS



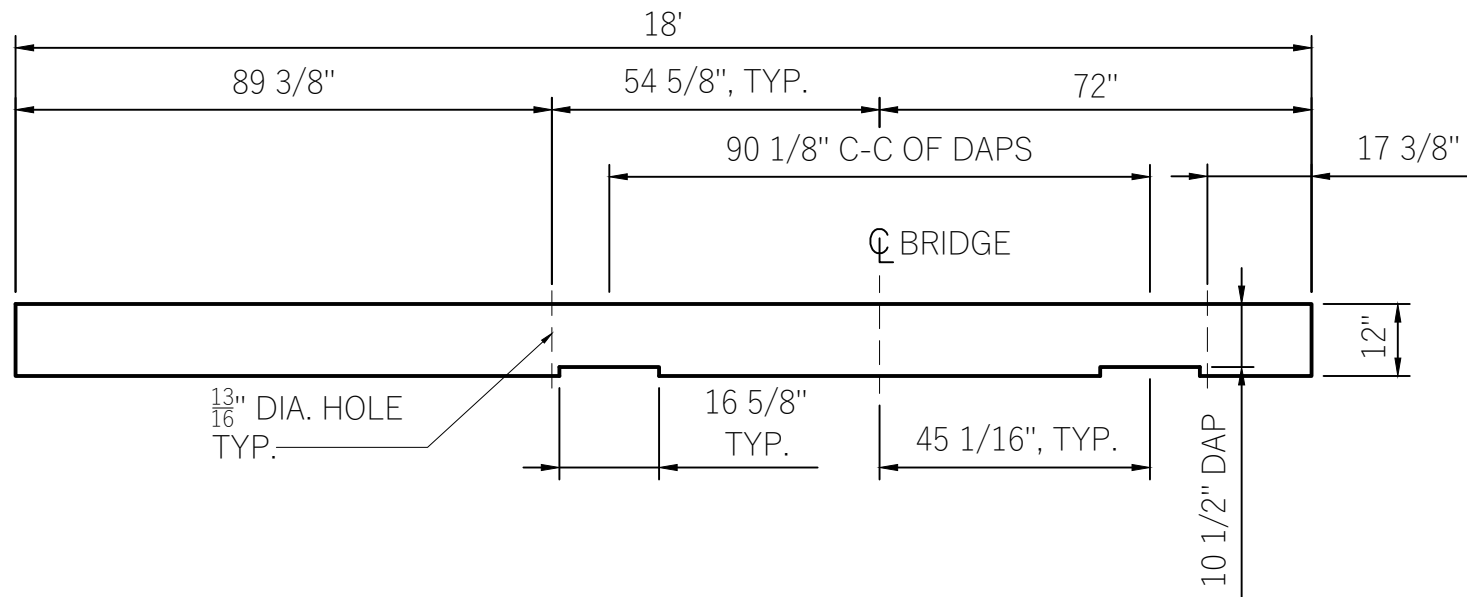
8"X12"X18' - BRIDGE TIE
CROSS SECTION AT TIE C (14 REQ'D)
SCALE: 3/8" = 1'-0"



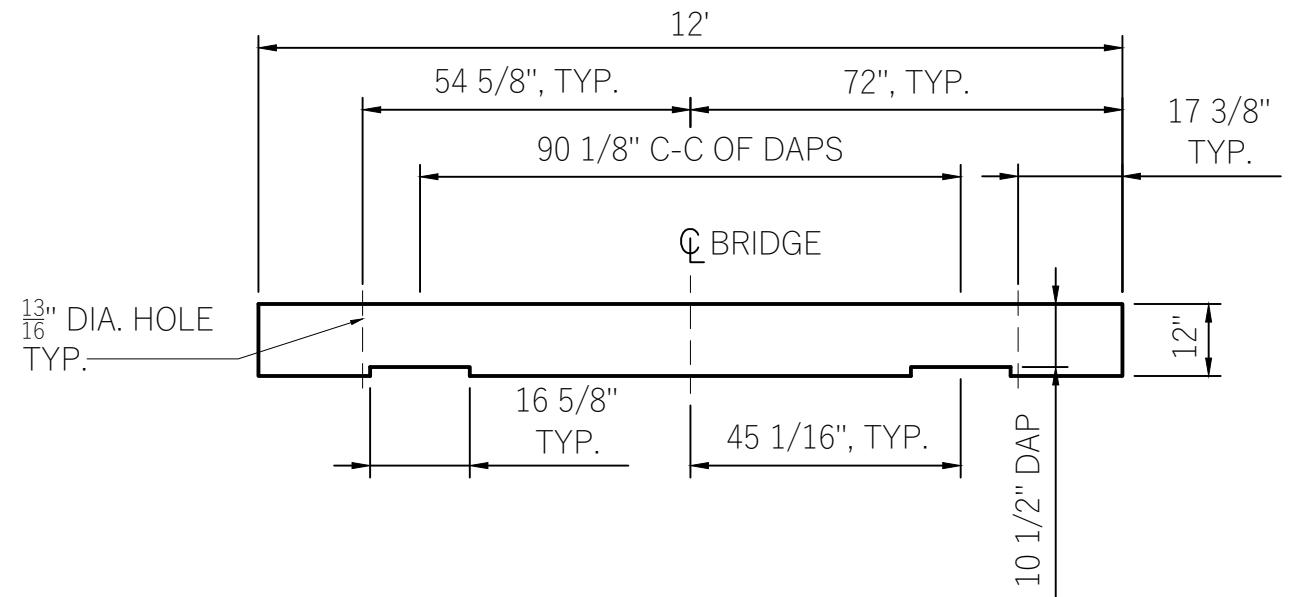
8"X12"X12' - BRIDGE TIE
CROSS SECTION AT TIE D (43 REQ'D)
SCALE: 3/8" = 1'-0"

 ALASKA RAILROAD CORPORATION ENGINEERING SERVICES P.O. BOX 107500, ANCHORAGE, ALASKA 99510-7500		
PROJECT : BR. 292.3 TIE PLANS		
TITLE: SPANS 2 & 4 TIES C & D, PLAN AND SECTION		
DESIGNED BY: AKRR	SCALE : AS NOTED	AFE NO.:
DRAWN BY: BSI	DATE : 01/31/2022	ACAD FILE:
CHECKED BY: DJS		DWG NO. 3 OF 5
APPROVED BY: DJS		

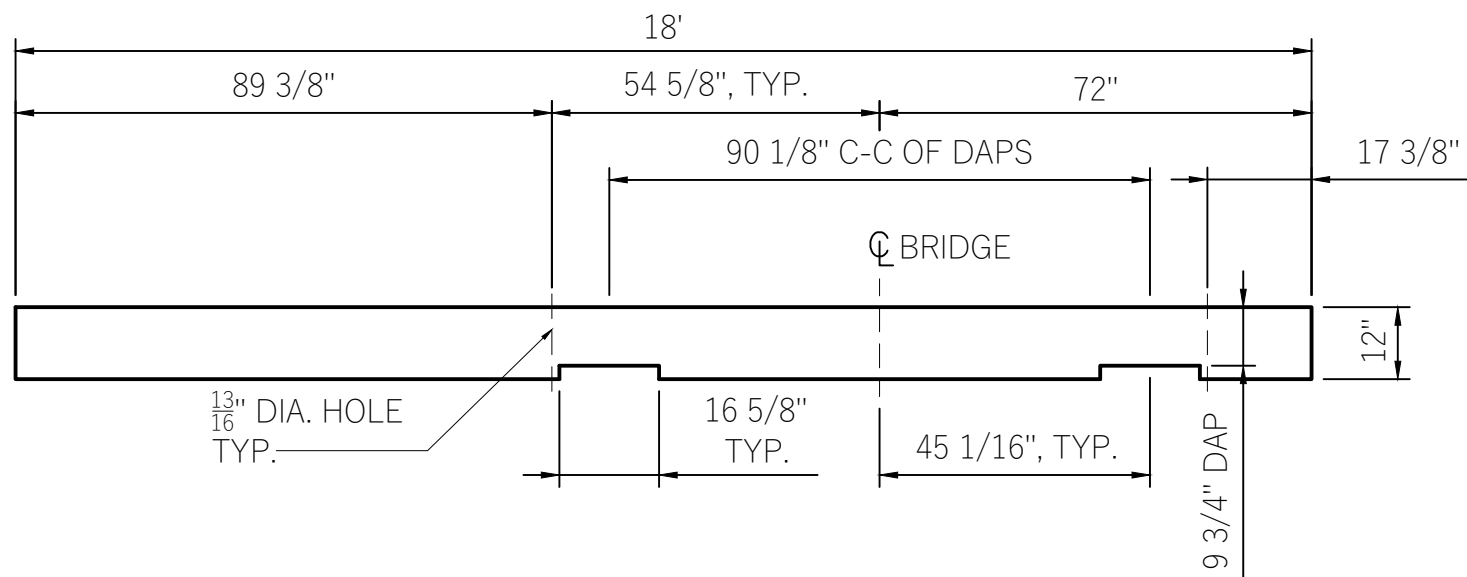
P:\Engineering\Bridges\BR 292.3 Drawings\Tie Replacement\ARRC Br. 292.3 Tres.dwg VPort: SPAN 3 (CP2&CP3) Plot Style: 750C-Half_20211103.ctb



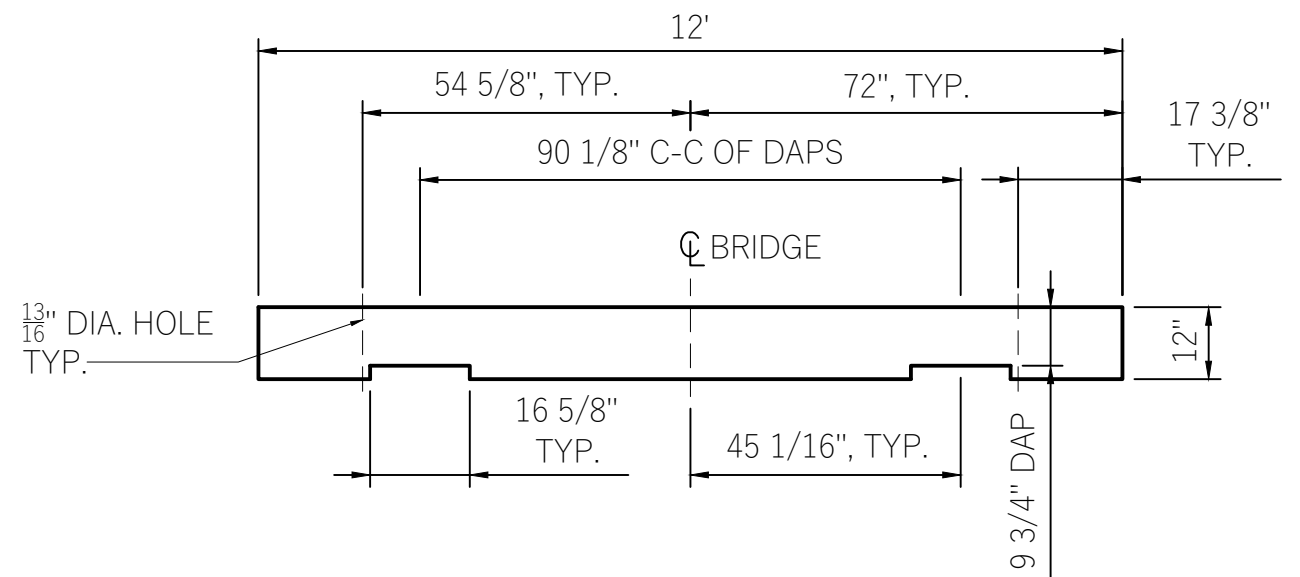
**8"X12"X18' - BRIDGE TIE
CROSS SECTION AT TIE G (4 REQ'D)**
SCALE: 3/8" = 1'-0"




**8"X12"X12' - BRIDGE TIE
CROSS SECTION AT TIE H (10 REQ'D)**
SCALE: 3/8" = 1'-0"



**8"X12"X18' - BRIDGE TIE
CROSS SECTION AT TIE I (9 REQ'D)**
SCALE: 3/8" = 1'-0"



**8"X12"X12' - BRIDGE TIE
CROSS SECTION AT TIE J (28 REQ'D)**
SCALE: 3/8" = 1'-0"

 ALASKA RAILROAD CORPORATION ENGINEERING SERVICES P.O. BOX 107500, ANCHORAGE, ALASKA 99510-7500		
PROJECT : BR. 292.3 TIE PLANS		
TITLE: SPAN 3, TIES G & H SECTION AT CP2, TIES I & J SECTION AT CP3		
DESIGNED BY: AKRR	SCALE : AS NOTED	AFE NO.:
DRAWN BY: BSI	DATE : 01/31/2022	ACAD FILE:
CHECKED BY: DJS		DWG NO. 5 OF 5
APPROVED BY: DJS		