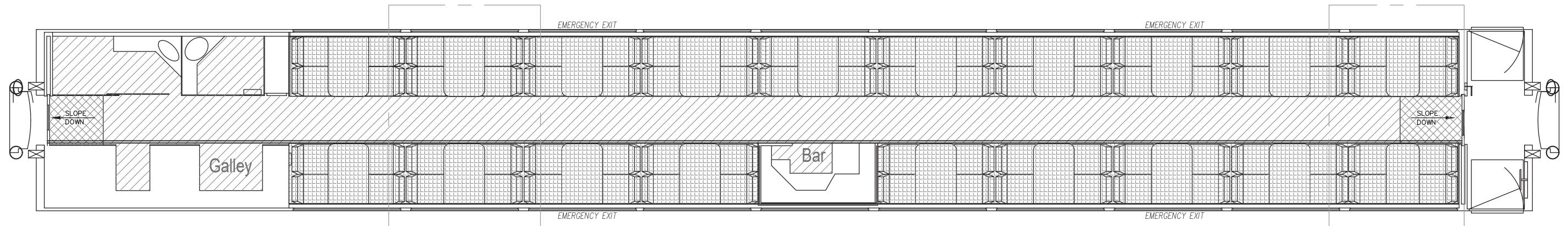


FLOOR FINISH LEGEND:

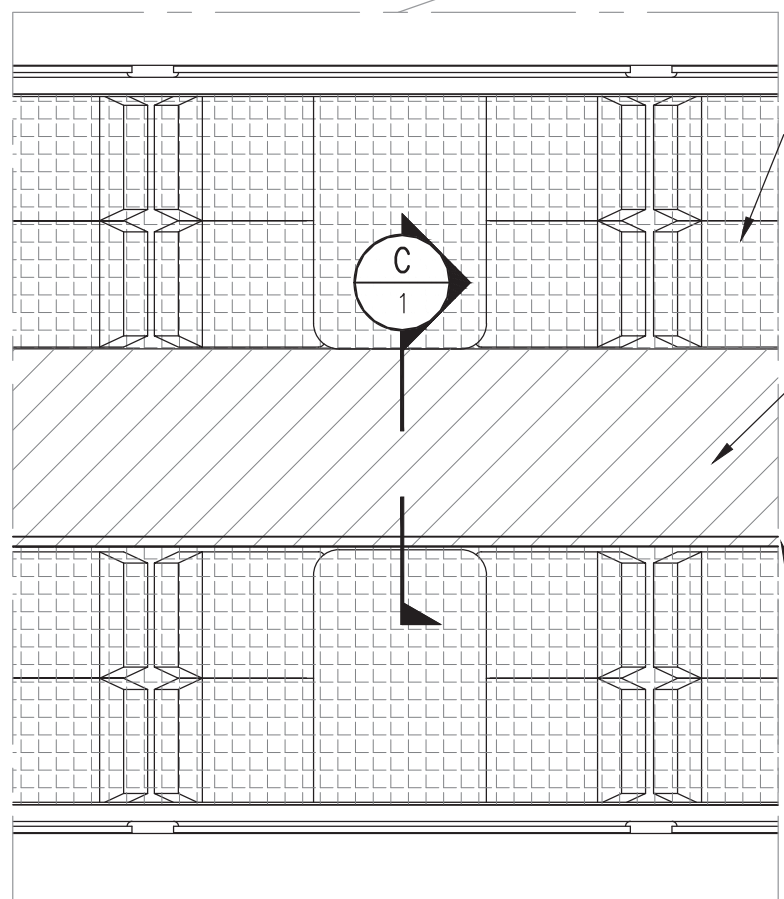
CPT1 CARPET – TILE MANUFACTURER: MOHAWK STYLE: MODULAR CARPET TILE COLOR: BRAIDED STREAM II PATTERN: MONOLITHIC ORIENTATION: NEXT BACKING BACKER: NEXT BACKING	NF1 INDUSTRIAL RUBBER FLOORING TILE MANUFACTURER: NORA FLOORING STYLE: NORAMENT GRANO COLOR: CAMPHOR PATTERN: MONOLITHIC ORIENTATION: MONOLITHIC	NF2 INDUSTRIAL RUBBER FLOORING TILE MANUFACTURER: NORA FLOORING STYLE: NORAMENT GRANO COLOR: YELLOW PATTERN: MONOLITHIC ORIENTATION: MONOLITHIC
--	---	--

NOTES:

- CARE MUST BE TAKEN WHEN REMOVING EXISTING CARPET FLOORING TO AVOID DELAMINATING SHEET METAL LAMINATE FROM PLYWOOD SUBFLOOR.
- OWNER PROVIDED MATERIALS: CARPET TILE CPT1, RUBBER FLOORING NF1, NF2 & RUBBER FLOORING ADHESIVE.
- CONTRACTOR IS RESPONSIBLE FOR PROVIDING CPT1 CARPET TILE ADHESIVE, FLOOR LEVELING COMPOUND AND PRIMER FOR NF1 & NF2.
- PREPARE SUBFLOOR AND INSTALL ARRC PROVIDED BROADLOOM CARPET TO COMPLY WITH CRI 104 AND WITH CARPET MANUFACTURERS WRITTEN INSTALLATION INSTRUCTIONS.



CPT1: 410 FT²
 NF2: 16 FT²
 NF1: 250 FT²



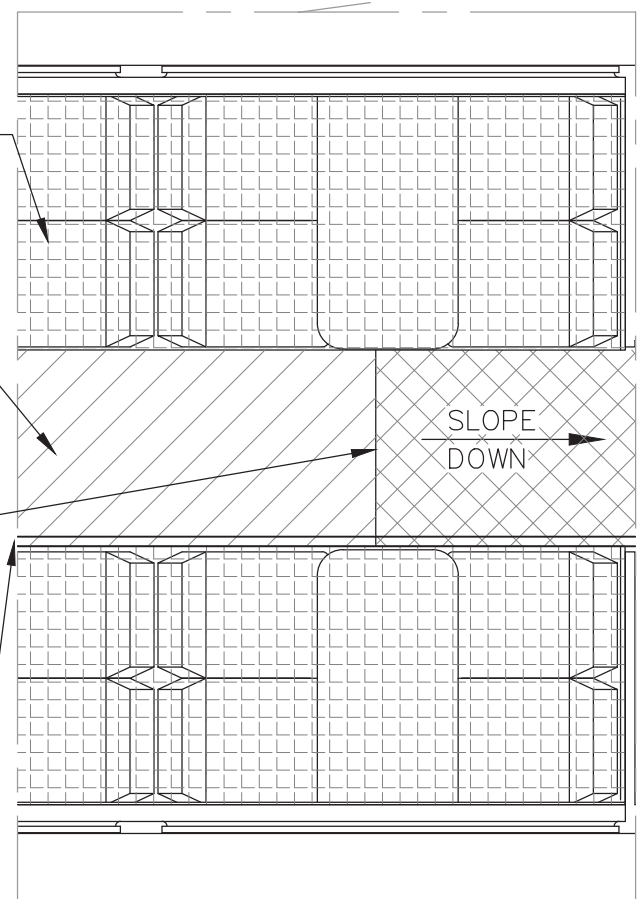
A
1
DETAIL A
SCALE: NTS

REMOVE & REINSTALL EXISTING SEAT FRAMES AND TABLES. INSTALL NEW CARPET TILE TO EXISTING SUBFLOOR.

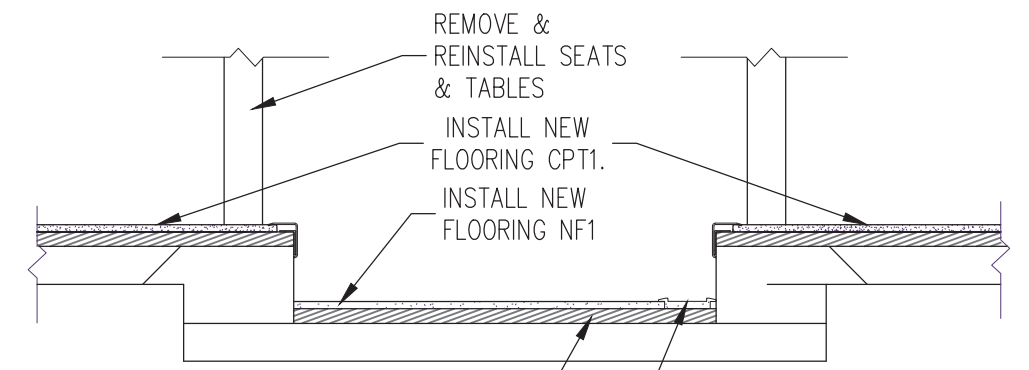
INSTALL NEW RUBBER FLOORING TO EXISTING SUBFLOOR.

INSTALL TEXTURED YELLOW RUBBER FLOORING AT ISLE END RAMPS.

INSTALL NEW ARRC PROVIDED LLEPM TRACK, FULL LENGTH OF CAR.



B
1
DETAIL B
SCALE: NTS



EXISTING SUBFLOOR TO REMAIN

INSTALL NEW ARRC PROVIDED EXIT PATH MARKING TRACK USING #8x1" SS FLAT HEAD WOOD SCREWS 8" O.C.

C
1
DETAIL C SECTION
SCALE: NTS

ALASKA RAILROAD CORPORATION ENGINEERING SERVICES P.O. BOX 107500, ANCHORAGE, ALASKA 99510-7500		
PROJECT : MOTIVE POWER AND EQUIPMENT PASSENGER EQUIPMENT		
TITLE: ARR 554 SUNROOM TABLE CARS FINISH FLOORING REPLACEMENT		
DESIGNED BY: ARRC	SCALE : NTS	AFE NO.: 11079 - ARRC
DRAWN BY: CDL	DATE : NOVEMBER 2023	ACAD FILE:
CHECKED BY: ARRC		DWG NO. 1 OF 4
APPROVED BY: ARRC		

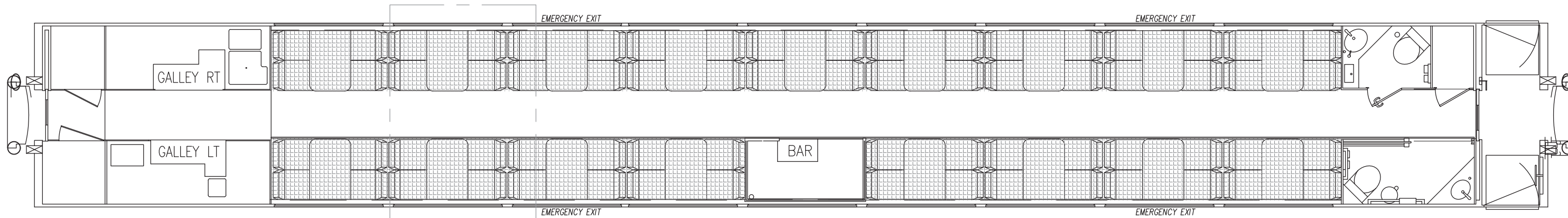
P:\Engineering\Motive Power and Equipment\2. Passenger\Passenger Equipment Rehab\2023 Projects\ARRC Internal Pax Projects\554-557 Flooring\ARR 554-557 Flooring.dwg

FLOOR FINISH LEGEND:

CPT2 – ARRC PROVIDED
 CARPET – BROADLOOM
 MANUFACTURER: FORBO
 STYLE: FLOTEX FR
 COLOR: METRO GRAY
 PATTERN: MONOLITHIC
 ORIENTATION: FR BACKING
 BACKER: FORBO FRS
 ADHESIVE: FORBO FRS

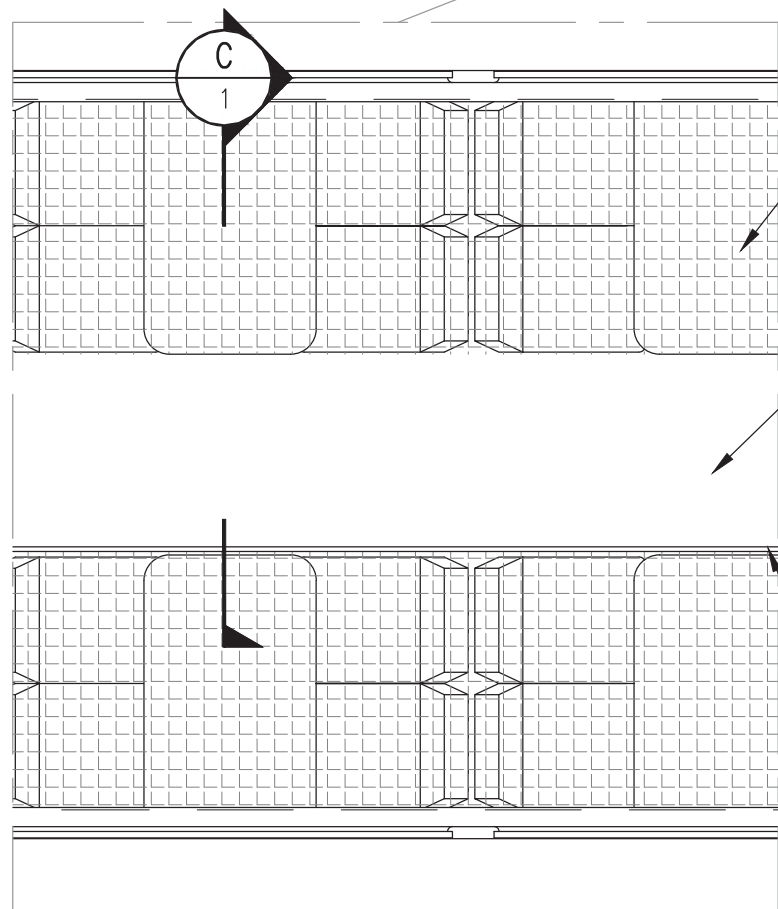
NOTES:

1. CARE MUST BE TAKEN WHEN REMOVING EXISTING CARPET FLOORING TO AVOID DELAMINATING SHEET METAL LAMINATE FROM PLYWOOD SUBFLOOR.
2. OWNER PROVIDED MATERIALS: CARPET CPT2 & ADHESIVE.
3. CONTRACTOR IS RESPONSIBLE FOR GATHERING BROADLOOM CARPET FROM THE ARRC ANCHORAGE YARD AND SLITTING FULL WIDTH ROLLS TO REQUIRED SIZE OFF-SITE FOR FINAL INSTALLATION.
4. PREPARE SUBFLOOR AND INSTALL ARRC PROVIDED BROADLOOM CARPET TO COMPLY WITH CRI 104 AND WITH CARPET MANUFACTURERS WRITTEN INSTALLATION INSTRUCTIONS.




CPT2: 365 FT²

A
1 PLAN VIEW
SCALE: NTS



B
1 DETAIL B
SCALE: NTS

C
1 DETAIL C SECTION
SCALE: NTS

 ALASKA RAILROAD CORPORATION ENGINEERING SERVICES P.O. BOX 107500, ANCHORAGE, ALASKA 99510-7500		
PROJECT : MOTIVE POWER AND EQUIPMENT PASSENGER EQUIPMENT		
TITLE: ARR 555-557 SUNROOM TABLE CARS CARPET REPLACEMENT		
DESIGNED BY: ARRC	SCALE : NTS	AFE NO.: 11079 - ARRC
DRAWN BY: CDL	DATE : NOVEMBER 2023	ACAD FILE:
CHECKED BY: ARRC		DWG NO. 2 OF 4
APPROVED BY: ARRC		

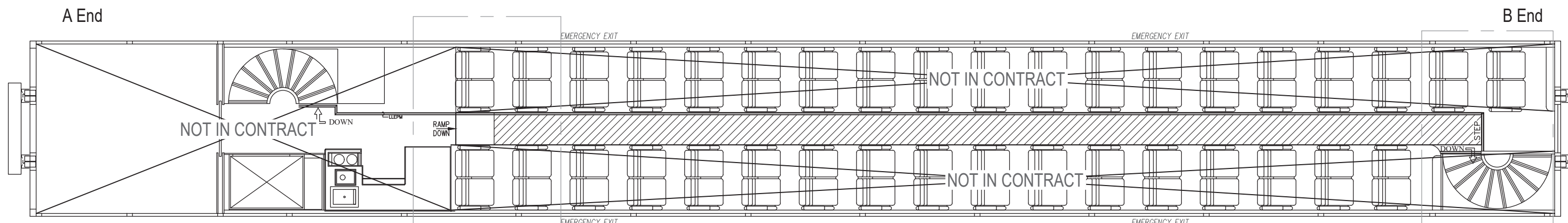
P:\Engineering\Motive Power and Equipment\2. Passenger Equipment Rehab\2023 Projects\Flooring Install\ARR 65x Isle carpets\ARR 65x Isle Carpet.dwg

FLOOR FINISH LEGEND:

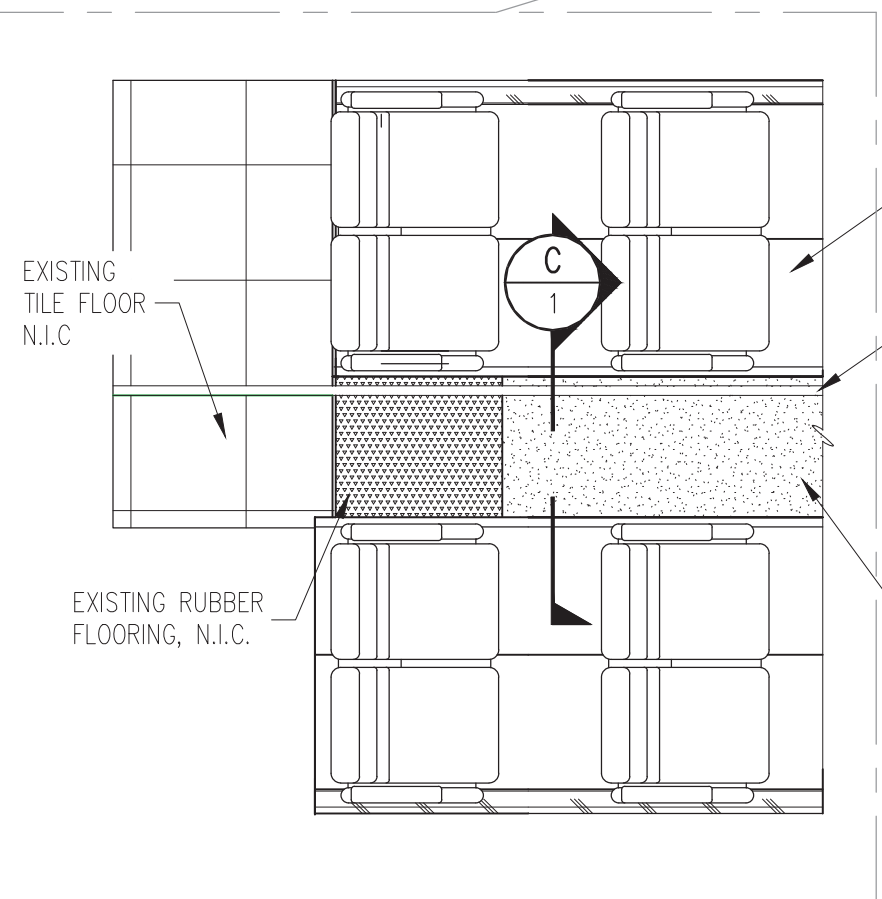
CPT3
 CARPET — BROADLOOM
 MANUFACTURER: ShawContract
 STYLE: NOTION ULTRALOC MB
 COLOR: 00405 PAUSE
 PATTERN
 ORIENTATION: VERTICAL GRAIN RUNS LENGTH OF ISLE
 BACKER: RED LIST FREE CARPET BACKING

NOTES:

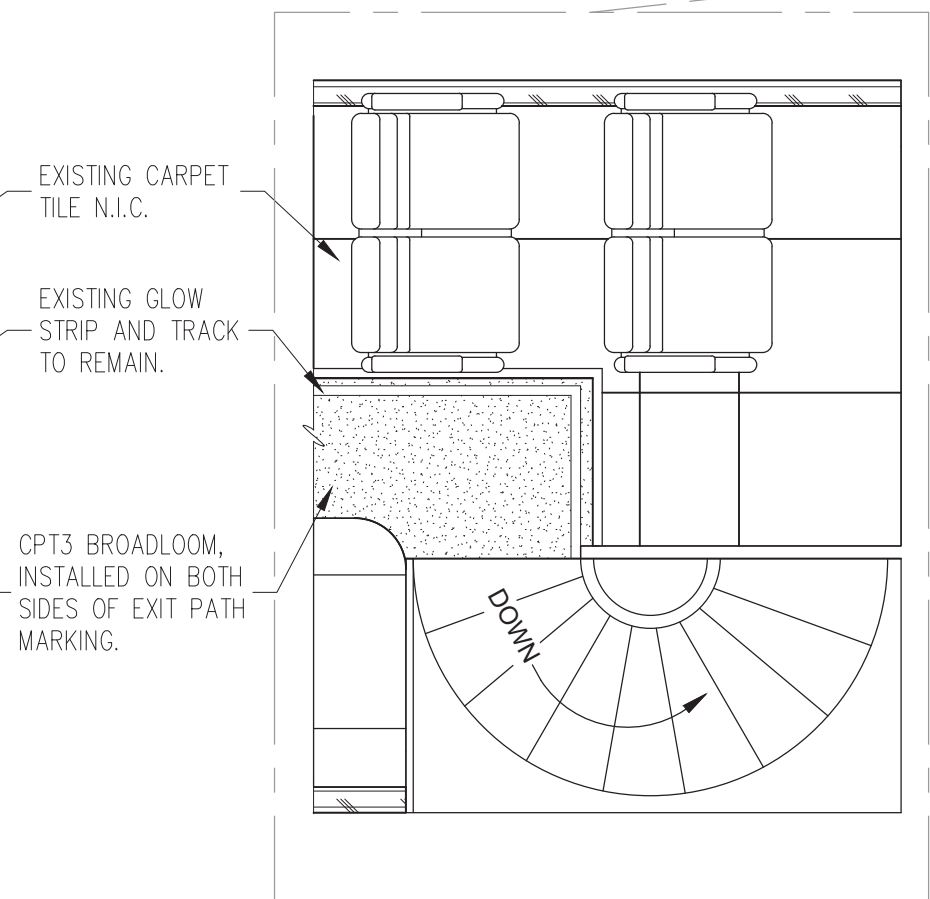
- CARE MUST BE TAKEN WHEN REMOVING EXISTING CARPET FLOORING TO AVOID DELAMINATING SHEET METAL LAMINATE FROM PLYWOOD SUBFLOOR.
- OWNER PROVIDED MATERIALS: CARPET CPT1. CONTRACTOR IS RESPONSIBLE FOR GATHERING BROADLOOM CARPET FROM THE ANCHORAGE YARD AND SLITTING FULL WIDTH ROLLS TO REQUIRED SIZE OFF-SITE FOR FINAL INSTALLATION.
- CONTRACTOR TO PROVIDE CARPET ADHESIVE.
- TUCK CARPET TUFTS UNDER EXISTING LLEPM MARKING TRACK.
- PREPARE SUBFLOOR AND INSTALL ARRC PROVIDED BROADLOOM CARPET TO COMPLY WITH CRI 104 AND WITH CARPET MANUFACTURERS WRITTEN INSTALLATION INSTRUCTIONS.



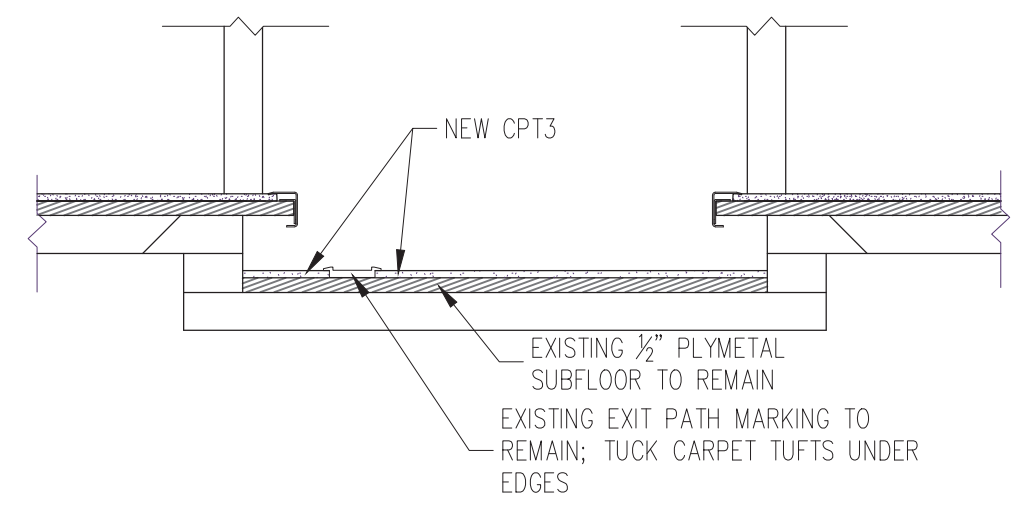
A
1
FLOOR PLAN — DOME LEVEL
SCALE: NTS




A
1
DETAIL A
SCALE: NTS



B
1
DETAIL B
SCALE: NTS



C
1
DETAIL C SECTION
SCALE: NTS

 ALASKA RAILROAD CORPORATION ENGINEERING SERVICES P.O. BOX 107500, ANCHORAGE, ALASKA 99510-7500		
PROJECT : MOTIVE POWER AND EQUIPMENT PASSENGER EQUIPMENT		
TITLE: ARR 650 SERIES BILEVEL DOMES DOME LEVEL ISLE CARPET REPLACEMENT		
DESIGNED BY: ARRC	SCALE : NTS	AFE NO.: 11070 - FTA
DRAWN BY: CDL	DATE : NOVEMBER 2023	ACAD FILE:
CHECKED BY: ARRC		DWG NO. 3 OF 4
APPROVED BY: ARRC		

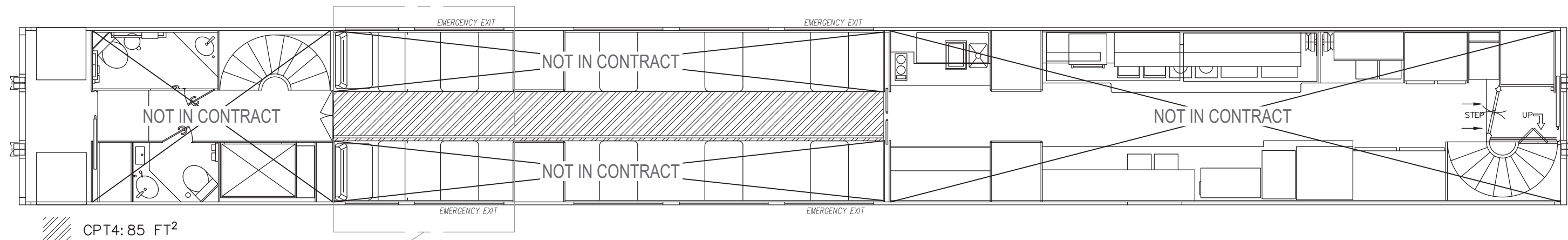
P:\Engineering\Motive Power and Equipment\2. Passenger\Passenger Equipment Rehab\2023 Projects\Flooring Install\ARR 65X Isle carpets\ARR 65x Isle Carpet.dwg

FLOOR FINISH LEGEND:

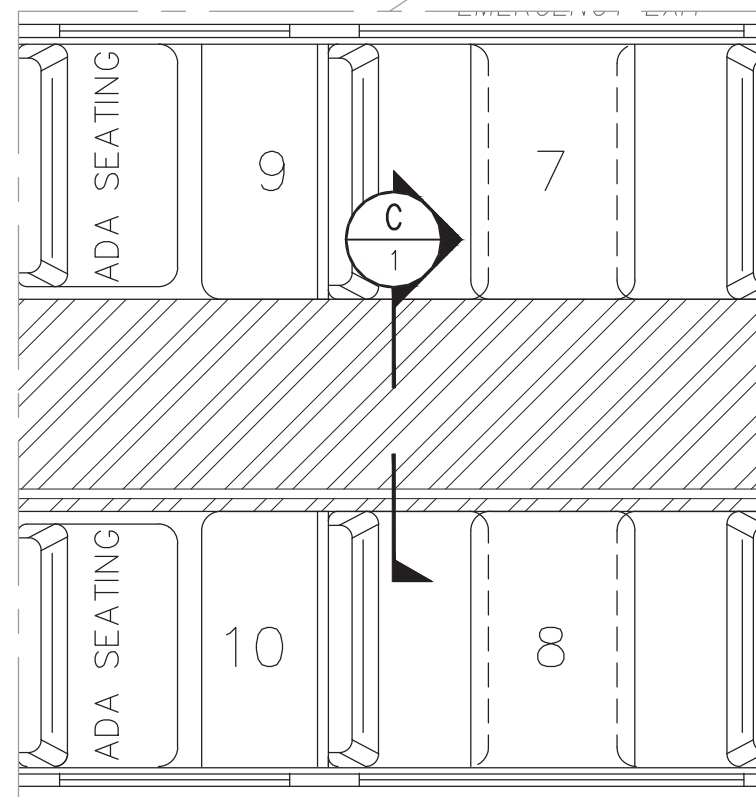
CPT4
 CARPET – BROADLOOM
 MANUFACTURER: FORBO
 STYLE: FLOTEX 200 FR METRO
 COLOR: ANTHRACITE
 PATTERN
 ORIENTATION: MONOLITHIC
 BACKER: FR BACKING

NOTES:

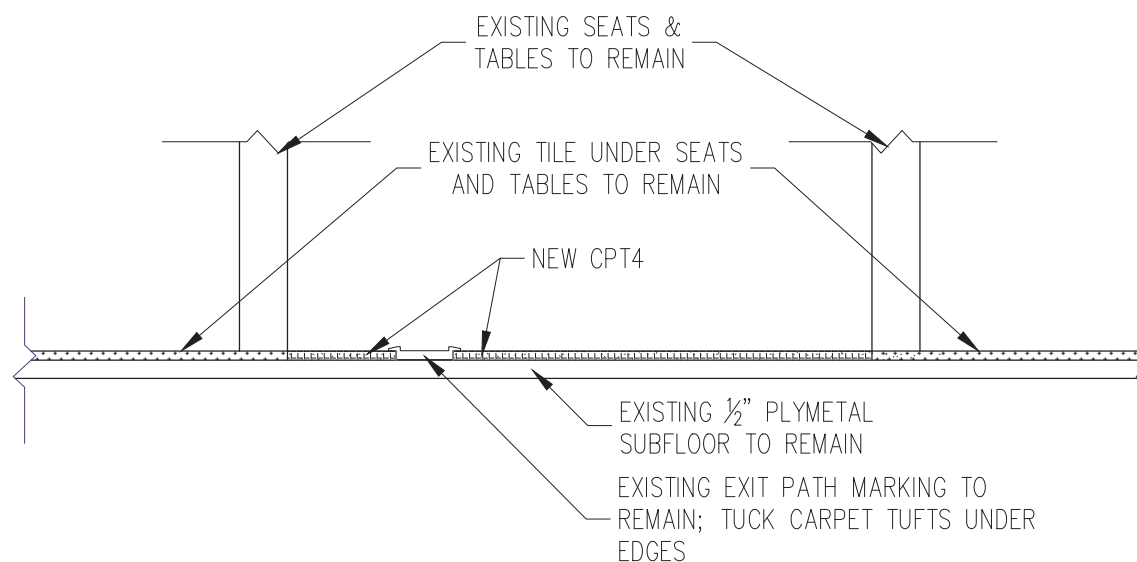
- CARE MUST BE TAKEN WHEN REMOVING EXISTING CARPET FLOORING TO AVOID DELAMINATING SHEET METAL LAMINATE FROM PLYWOOD SUBFLOOR.
- OWNER PROVIDED MATERIALS: CARPET CPT1. CONTRACTOR IS RESPONSIBLE FOR GATHERING BROADLOOM CARPET FROM THE ANCHORAGE YARD AND SLITTING FULL WIDTH ROLLS OF TO REQUIRED SIZE OFF-SITE FOR FINAL INSTALLATION.
- CONTRACTOR TO PROVIDE CARPET ADHESIVE.
- TUCK CARPET TUFTS UNDER EXISTING LLEPM MARKING TRACK.
- PREPARE SUBFLOOR AND INSTALL ARRC PROVIDED BROADLOOM CARPET TO COMPLY WITH CRI 104 AND WITH CARPET MANUFACTURERS WRITTEN INSTALLATION INSTRUCTIONS.




A
 1 FLOOR PLAN – MAIN LEVEL
 SCALE: NTS



B
 1 DETAIL B
 SCALE: NTS



C
 1 SECTION VIEW
 SCALE: NTS

 ALASKA RAILROAD CORPORATION ENGINEERING SERVICES P.O. BOX 107500, ANCHORAGE, ALASKA 99510-7500		
PROJECT : MOTIVE POWER AND EQUIPMENT PASSENGER EQUIPMENT		
TITLE: ARR 650 SERIES BILEVEL DOMES MAIN LEVEL ISLE CARPET REPLACEMENT		
DESIGNED BY: ARRC	SCALE : NTS	AFE NO.: 11070 FTA
DRAWN BY: CDL	DATE : NOVEMBER 2023	ACAD FILE:
CHECKED BY: ARRC		DWG NO. 4 OF 4
APPROVED BY: ARRC		