



SECTION TRUCK SERVICE BODY

INVITATION TO BID
No. 23-45-210858

JULY 19, 2023

ALASKA RAILROAD CORPORATION
327 WEST SHIP CREEK AVENUE
ANCHORAGE, ALASKA 99501



ALASKA RAILROAD CORPORATION
327 W. Ship Creek Avenue
Anchorage, AK 99501
Phone 907.265.4470
HUMPHREYC@AKRR.COM

July 19, 2023

INVITATION TO BID #23-45-210858

SECTION TRUCK SERVICE BODY

Response Required: This page must be completed and returned to ensure receipt of future addenda or additional information. Please e-mail this form to HumphreyC@akrr.com. All addenda will be forwarded to the contact name and number listed below.

Firms that have not returned the cover sheet will not be informed of addendums and will only be alerted to addendums by checking with the ARRC procurement officer or by checking ARRC's internet site: www.alaskarailroad.com, select Procurement and then Solicitations. Bidders must acknowledge the receipt of all issued addendums in their proposal/bid submittal.

Company _____

Address _____

Contact _____

Phone _____ Fax _____

Email _____

Website: www.alaskarailroad.com



ALASKA RAILROAD CORPORATION
327 W. Ship Creek Ave.
Anchorage, AK 99501

July 19, 2023

Invitation to Bid #23-45-210858

The Alaska Railroad Corporation (ARRC) is soliciting bid from interested concerns for the following:

SECTION TRUCK SERVICE BODY

Sealed bids will be received at:

HumphreyC@akrr.com
Alaska Railroad Corporation
327 West ship Creek Ave.
Anchorage, AK 99501

UNTIL 3:00 p.m. LOCAL TIME AUGUST 9, 2023. AT THAT TIME BIDS WILL BE PUBLICLY OPENED.

IMPORTANT: ARRC may award a contract resulting from this solicitation to the responsive bidder whose bid conforming to this solicitation will be the most advantageous to the ARRC. ARRC may reject any or all offers if such action is in the best interest of ARRC, and waive informalities and minor irregularities in offers received. Any resulting contract from this solicitation shall incorporate the Standard Instructions, and General Terms and Conditions incorporated in this solicitation.

Return your bid in a sealed envelope on which the Solicitation number appears. Bids received by facsimile transmission will not be considered for award. Bids shall be submitted on the forms furnished herein. Hand-delivered bids, amendments, or withdrawals must be received by ARRC's Contracts Section prior to the scheduled time of bid opening.

Your bid must be complete. See instructions and conditions enclosed.

ARRC shall not be held responsible for bidder's lack of understanding of what is required by this bid. Should a bidder not understand any aspect of this bid, or require further explanation, or clarification regarding the intent or requirements of this bid, it shall be the responsibility of the bidder to seek guidance from the ARRC.

ARRC reserves the right to reject any and all bids, or any part thereof, negotiate changes in bids, accept any bids or any part thereof, waive minor informalities or defects in any bids, and not to award the proposed contract if it is in the best interest of the ARRC.

ARRC may award a contract resulting from this solicitation to the responsive offeror whose offer conforming to this solicitation will be the most advantageous to the ARRC. ARRC may reject any or all offers if such action is in the best interest of ARRC, and waive informalities and minor irregularities in offers received. Any resulting contract from this solicitation shall incorporate the

Standard Instructions, and General Terms and Conditions for Construction incorporated in this solicitation.

This solicitation is not to be construed as a commitment of any kind nor does it commit the ARRC to pay for any costs incurred in the submission of an offer or for any other incurred cost prior to the execution of a formal contract

BIDDER/VENDOR TERMS AND CONDITIONS: PROSPECTIVE BIDDERS ARE CAUTIONED TO PAY PARTICULAR ATTENTION TO THIS CLAUSE. Bidder/contractor imposed terms and conditions which conflict with this Invitation for Bid terms and conditions are considered counter offers and, as such, will cause the Alaska Railroad Corporation to consider the bid non-responsive.

If a bidder attaches additional terms and conditions as part of the bid, such attachments must be accompanied by a disclaimer stating that in the event of conflict between the terms and conditions of this Invitation for Bid and the terms and conditions of the bidder/contractor, the terms and conditions of the Invitation for Bid will prevail.

ARRC Disadvantaged Business Enterprise (DBE) Program: ARRC is an equal opportunity corporation that encourages the participation of DBEs as prime contractors and subcontractors on its contracts funded in whole or in part by the Federal Transit Administration (FTA) or the Federal Highway Administration (FHWA). The ARRC has a race neutral DBE Program and does not set DBE goals on individual solicitations. Nonetheless, the ARRC aspires to achieve an overall DBE participation of 4.0% in federal fiscal years 2022-2024 on contracts funded by agencies within the U.S. Department of Transportation. If this contract is funded in whole or in part by funds from the FTA or the FHWA, it is imperative that you consult the Federal Terms and Conditions portion of this solicitation.



The Alaska Railroad is a member of Green Star (<http://www.greenstarinc.org/>). ARRC earned an initial Green Star Award in 1994 and a Green Star Air Quality Award in 2007. The Alaska Railroad considers Green Star membership to be a positive business attribute, and regards a Green Star award as a tangible sign of an organization's commitment to environmental stewardship and continual improvement within its operations.

The envelope used in submitting your offer shall be plainly marked with the following information:

1. Offeror's Name -
2. ITB # 23-45-210858
3. Date and Time Scheduled for Receipt of Offers.
4. Sealed Offer: **SECTION TRUCK SERVICE BODY**

Please direct all responses and/or questions concerning this invitation to bid **in writing** to Candice Humphrey via email; HumphreyC@akrr.com.

Sincerely,

Candice Humphrey

Contract Administration Specialist

INDEX

SECTION A	REQUIRED DOCUMENTS
SECTION B	SCOPE OF WORK
SECTION C	SECTION TRUCK SERVICE BODY PLAN
SECTION D	COST SCHEDULE
SECTION E	FORMS
SECTION F	GENERAL TERMS AND CONDITIONS

SECTION A REQUIRED DOCUMENTS

REQUIRED FOR BID. Bids will not be considered if the following documents are not completely filled out and submitted at the time of bidding:

1. Cost Schedule- Section D
2. Contractor Responsibility Questionnaire- Section E

REQUIRED FOR AWARD. In order to be awarded the contract, the successful bidder must completely fill out and submit the following documents within the time specified in the intent to award letter:

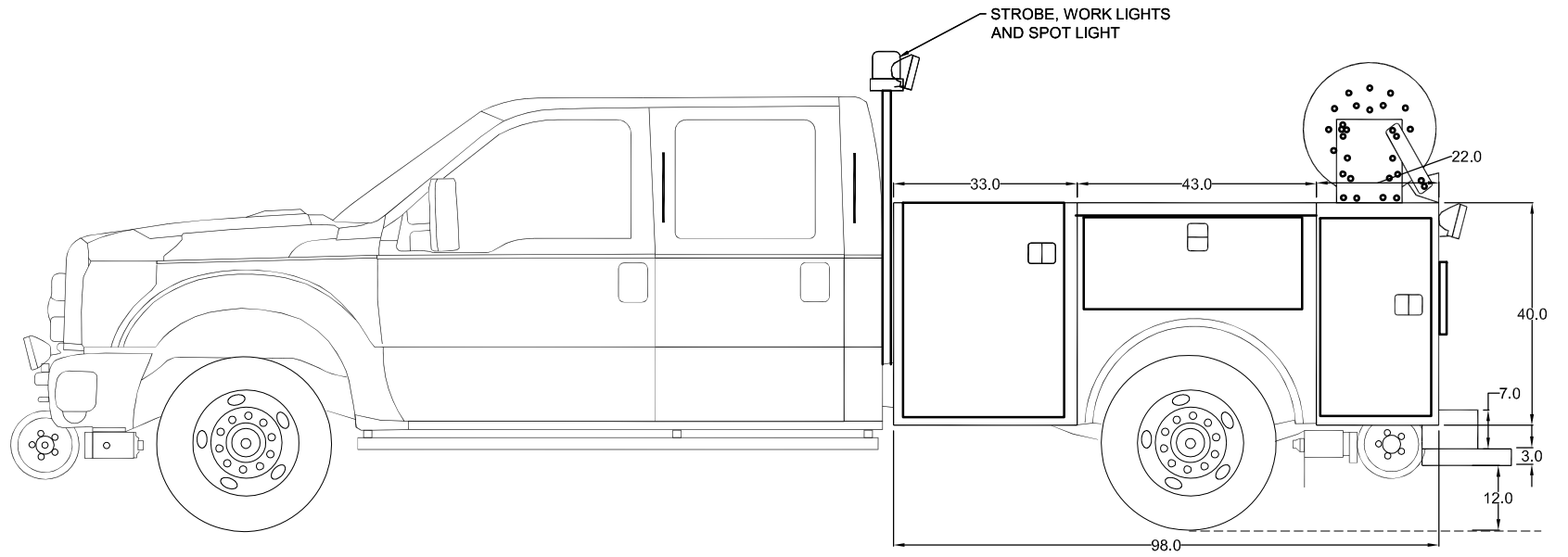
1. Business Licenses

SECTION B SCOPE OF WORK

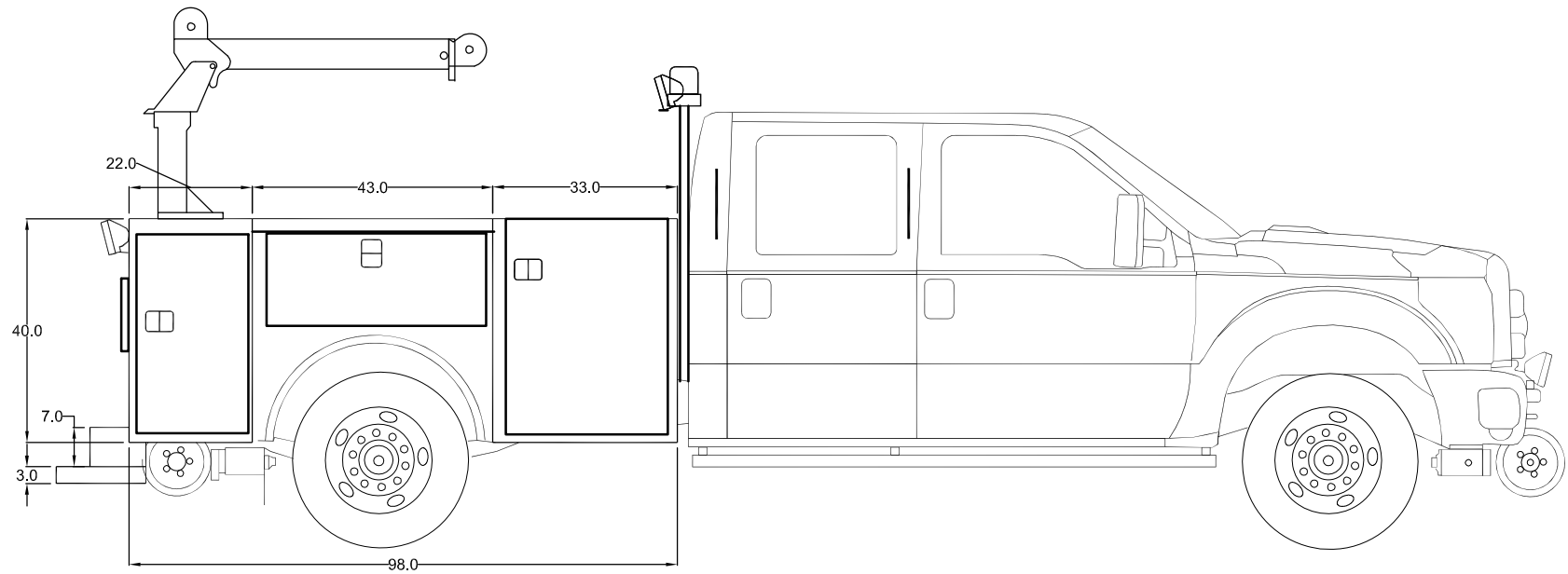
Section truck aluminum service bodies for our 2022 Ford F-350 60" CA DRW
Total Quantity: Four (4)

- 98" long x 40" high x 94" wide
- Headache rack for work lights & strobe light
- 40" compartment height, 18" compartment depth, 54" load space width, 23" top of body to top of floor, 17" horizontal compartment height
- 2000lb utility crane mounted on top of curb side tool tray right rear corner 12v power with wired remote and quick connect plug in
- Master locking system on body
- Spot light
- Hose reel 50ft 1/2" arctic grade: Hose reel is for Hydraulic Tool circuit:
Chassis engine driven hydraulic tool circuit w/ valves & self-winding (25' length - Stanley recommendation for hose diameter & manufacturer) hose reel mounted on drivers side rear on top of tool boxes. Hydraulic specs: 10gpm@2,000 psi & 5gpm at 2,000 psi continues with a twin line hose
- Aluminum tool holders
- Custom tool holder rear bumper

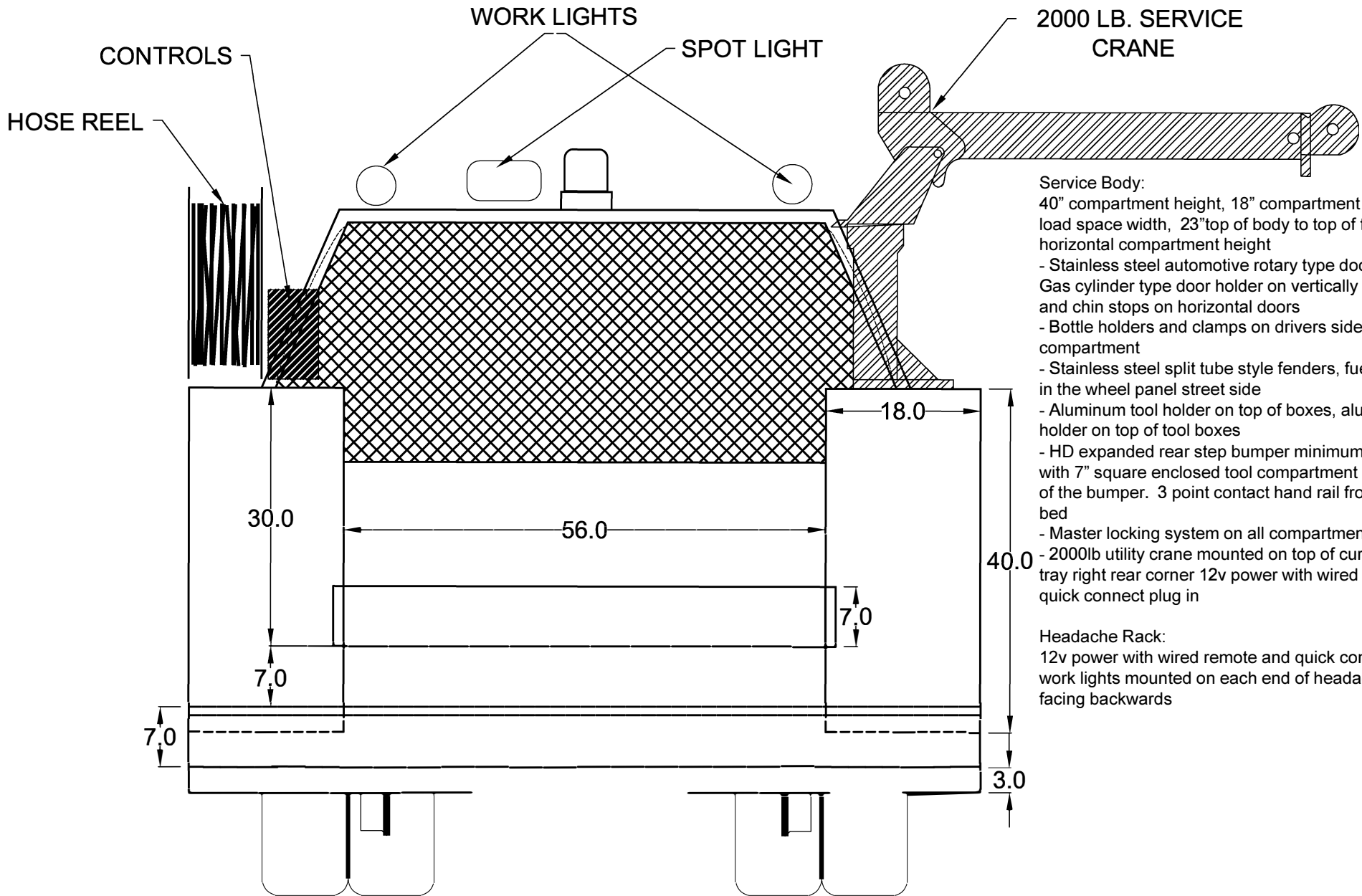
SECTION C



SCALE = $\frac{3}{8}$ " = 1'



SCALE = $\frac{3}{8}$ " = 1'
Page 8 of 25



- Service Body:**
 40" compartment height, 18" compartment depth, 54" load space width, 23" top of body to top of floor, 17" horizontal compartment height
- Stainless steel automotive rotary type door latches, Gas cylinder type door holder on vertically hinged doors and chin stops on horizontal doors
 - Bottle holders and clamps on drivers side front compartment
 - Stainless steel split tube style fenders, fuel filter cut out in the wheel panel street side
 - Aluminum tool holder on top of boxes, aluminum flag holder on top of tool boxes
 - HD expanded rear step bumper minimum 12" deep with 7" square enclosed tool compartment the full length of the bumper. 3 point contact hand rail from bumper to bed
 - Master locking system on all compartment box doors
 - 2000lb utility crane mounted on top of curb side tool tray right rear corner 12v power with wired remote and quick connect plug in

Headache Rack:
 12v power with wired remote and quick connect plug in, work lights mounted on each end of headache rack facing backwards

SCALE = 3/4" = 1'

**SECTION D
COST SCHEDULE**

A bidder's failure to provide the information requested in this SECTION will be cause for rejection of the offer on the basis of non-responsiveness.

Provide Services in accordance with the Terms, Conditions and Specifications listed in SECTION C.

<u>Base Bid - Description</u>	<u>Qty</u>	<u>Unit Cost</u>
Truck Service Body	4	\$ _____
		Grand Total: \$ _____

AWARD CRITERIA: An award will be made to the low, responsive, responsible bidder that meets the requirements as set forth in the specifications and compliance thereof. The Alaska Railroad Corporation reserves the right to determine that all offered materials will serve the application intended. The bid award is contingent on the availability of Alaska Railroad Corporation and FTA funds. Award will be made in the aggregate.

The Undersigned has read the foregoing ITB and hereby agrees to the terms and condition stated therein by affixing his/her signature below.

NON-COLLUSION AFFIDAVIT: The Undersigned declares, under penalty of perjury under the laws of the United States, that neither he/she nor the firm, association, or corporation of which he/she is a member, has, either directly or indirectly, entered into any agreement, participated in any collusion, or otherwise taken any action in restraint of free competitive bidding in connection with this Bid.

BIDDERS NAME AND ADDRESS

COMPANY NAME

SIGNATURE BY AND FOR THE BIDDER

COMPANY ADDRESS

PRINTED NAME OF ABOVE BIDDER

DATE OF BID

CONTACT PHONE NUMBER

CONTACT EMAIL

SECTION E

CONTRACTOR RESPONSIBILITY QUESTIONNAIRE

PART I - INSTRUCTIONS

1. All Bidders/Proposers submitting a Bid/Proposal for federally funded contracts are to complete and submit all Parts of this Questionnaire with their Bid or Proposal. Failure to complete and return this questionnaire, any false statements, or failure to answer question when required, may render the bid/proposal non-responsive. All responses must be typewritten or printed in ink. All information must be legible.
2. Please state "not applicable" in questions clearly not applicable to Bidder/Proposer in connection with this solicitation. Do not omit any question.
3. The completed Questionnaire must be sworn to by a partner (if partnership), a duly authorized officer or individual (if a corporation or LLC), or a principal (if a sole proprietorship).
4. The term "Proposer" includes the term "Bidder" and also refers to the firm awarded the Contract. The term "Proposal" includes the term "Bid".
5. ARRC reserves the right to inquire further with respect to Proposer's responses; and Proposer consents to such further inquiry and agrees to furnish all relevant documents and information as requested by ARRC. Any response to this document prior or subsequent to Proposer's Proposal which is or may be construed as unfavorable to Proposer will not necessarily automatically result in a negative finding on the question of Proposer's responsibility or a decision to terminate the contract if it is awarded to Proposer.

PART II - IDENTITY OF PROPOSER

1. Proposer's Full Legal Name: _____
2. The Proposer represents that it operates as the following form of legal entity: (Check whichever applies and fill in any appropriate blanks.)
 - an individual or sole proprietorship
 - a general partnership
 - a limited partnership
 - a joint venture consisting of: _____
and _____
(List all joint venturers on a separate sheet if this space is inadequate.)
 - a non-profit organization
 - a corporation organized or incorporated under the laws of the following state or country: _____ on the following date: _____
 - a limited liability company organized under the laws of the following state or country: _____ on the following date: _____

3. Proposer's federal taxpayer identification number: _____
4. Proposer's Alaska business license number: _____
5. Proposer's contractor's license number (for construction only): _____
6. Proposer's legal address: _____

 Telephone Number: (____) _____ Fax Number:
 (____) _____

7. Proposer's local or authorized point of contract address:
 Name: _____ Title: _____
 Address: _____
 Telephone Number: (____) _____ Fax Number: (____) _____

8. How long has the Proposer been in business? _____

9. Has Proposer been in business under another name? If so, identify name and dates used.

10. Does your firm consider itself to be an MBE, WBE or DBE?
 YES NO If answer is "YES," attach a copy of certification.

11. Number of employees: _____ including _____ employees in the State of Alaska.

PART III-CONTRACTING HISTORY

1. Has the Proposer been awarded any contracts within the last five years by ARRC, the State of Alaska, or any other public entity for the same or reasonably similar goods or services sought by this solicitation? If none, answer "No". If yes, on a separate sheet of paper describe those contracts beginning with the most recent. State the name of the contracting entity; give a brief description of the contract and the contract number, the dollar amount at award and at completion, date completed; state the contract period, the status of the contract, and the name, address, and telephone number of a contact person at the agency. Indicate if award was made to Proposer as prime contractor or joint venture. Proposer need not provide more than three such descriptions.

YES NO

2. Has the Proposer been awarded any private sector contracts within the last five years for the same or reasonably similar goods or services sought by this solicitation? If none, answer "No." If yes, on a separate sheet of paper provide the name and address of the contracting entity, a brief description of work, the dollar amount at award and at completion, date completed, status of the contract and name, address and telephone number of contact person as to each, beginning with the most recent. Indicate if Proposer acted as prime contractor or joint venture. Proposers need not provide more than three such descriptions.

YES NO

NOTE: ANY "YES" ANSWERS TO #3 BELOW MUST BE FULLY EXPLAINED ON A SEPARATE SHEET OF PAPER AND ATTACHED TO THIS QUESTIONNAIRE.

3. In the past five years has the Proposer been the subject of any of the following actions?

A. Been suspended, debarred, disqualified, or otherwise declared ineligible to bid?

YES NO

B. Failed to complete a contract for a public or private entity?

YES NO

C. Been denied a low-bid contract in spite of being the low bidder?

YES NO

D. Had a contract terminated for any reason, including default?

YES NO

E. Had liquidated damages assessed against it during or after completion of a contract?

YES NO

F. Been a defaulter, as principal, surety or otherwise?

YES NO

G. Been denied an award of a public contract based upon a finding by a public agency that your company was not a responsible contractor?

YES NO

H. A public entity requested or required enforcement of any of its rights under a surety agreement on the basis of your company's default or in lieu of declaring your company in default?

YES NO

I. Been denied a performance or payment bond by a surety company?

YES NO

J. Been required to pay back wages and/or penalties for failure to comply with state or federal prevailing wage or overtime laws?

YES NO

4. Does Proposer currently possess the financial, organizational, technical, equipment, facilities, and other resources necessary to supply the goods or services sought by this solicitation? If no, on a separate sheet of paper describe how you intend to obtain the resources necessary to supply the goods or services sought by this solicitation.

YES NO

5. Does Proposer have any present or anticipated commitments and/or contractual obligations that might impact its ability to meet the required delivery or performance requirements of this solicitation? If yes, on a separate sheet of paper describe any apparent conflicts as between the requirements/commitments for this solicitation with respect to the use of Proposer's resources, such as management, technical expertise, financing, facilities, equipment, etc.

YES NO

PART IV-CIVIL ACTIONS

If "Yes" to Parts IV or V, provide details on a separate sheet of paper including a brief summary of cause(s) of action; indicate if Proposer, its principals, officers or partners were plaintiffs or defendants; define charges explicitly, by what authority, court or jurisdiction, etc. In the case of tax liens, please indicate whether the liens were resolved with the tax authorities. Please submit proof of payment or agreements to pay the liens. Complete details are required!

1. Violations Of Civil Law. In the past five years has Proposer, any of its principals, officers or partners been the subject of an investigation of any alleged violation of a civil antitrust law, or other federal, state or local civil law?

YES NO

2. Lawsuits With Public Agencies. At the present time is, or during the past five years has Proposer, any of its principals, officers or partners been a plaintiff or defendant in any lawsuit or arbitration regarding services or goods provided to a public agency?

YES NO

3. Bankruptcy. During the past five years, has the Proposer filed for bankruptcy or reorganization under the bankruptcy laws?

YES NO

4. Judgments, Liens And Claims. During the past five years, has the Proposer been the subject of a judgment, lien or claim of \$25,000 or more by a subcontractor or supplier?

YES NO

5. Tax Liens. During the past five years, has the Proposer been the subject of a tax lien by federal, state or any other tax authority?

YES NO

PART V-COMPLIANCE WITH LAWS AND OTHER REGULATIONS

1. Criminal: In the past five years has the Proposer, any of its principals, officers, or partners been convicted or currently charged with any of the following:

A. Fraud in connection with obtaining, attempting to obtain, or performing a public contract, agreement or transaction?

YES NO

B. Federal or state antitrust statutes, including price fixing collusion and bid rigging?

YES NO

C. Embezzlement, theft, forgery, bribery, making false statements, submitting false information, receiving stolen property, or making false claims to any public agency?

YES NO

D. Misrepresenting minority or disadvantaged business entity status with regard to itself or one of its subcontractors?

YES NO

E. Non-compliance with the prevailing wage requirements of the State of Alaska or similar laws of any other state?

YES NO

F. Violation of any law, regulation or agreement relating to a conflict of interest with respect to a government funded procurement?

YES NO

G. Falsification, concealment, withholding and/or destruction of records relating to a public agreement or transaction?

YES NO

H. Violation of a statutory or regulatory provision or requirement applicable to a public or private agreement or transaction?

YES NO

I. Do any principals, officers or partners in Proposer's company have any felony charges pending against them that were filed either before, during, or after their employment with the Proposer?

YES NO

2. Regulatory Compliance. In the past five years, has Proposer or any of its principals, officers or partners:

A. Been cited for a violation of any labor law or regulation, including, but not limited to, child labor violations, failure to pay correct wages, failure to pay into a trust account, failure to remit or pay withheld taxes to tax authorities or unemployment insurance tax delinquencies?

YES NO

B. Been cited and assessed penalties for an OSHA or Alaska/OSHA "serious violation"?

YES NO

C. Been cited for a violation of federal, state or local environmental laws or regulations?

YES NO

D. Failed to comply with Alaska corporate registration, federal, state or local licensing requirements?

YES NO

E. Had its corporate status, business entity's license or any professional certification, suspended, revoked, or had otherwise been prohibited from doing business in the State of Alaska?

YES NO

PART VI-FINANCIAL

Copies of the following documents are to be submitted with this Questionnaire:

1. Proposer's current Alaska Business License, if required by state law.
2. Proposer's Financial Statements (see specific requirements below):

A. PUBLICLY TRADED COMPANIES: Financial information will be accessed on-line. However, if additional information is needed, it will be specifically requested from the Proposer.

B. NON-PUBLICLY TRADED COMPANIES WITH AUDITED OR REVIEWED FINANCIAL STATEMENTS: Statements, including balance sheet, statement of earnings and retained income, with footnotes, for the most recent three years.

C. NON-PUBLICLY TRADED COMPANIES WITHOUT AUDITED OR REVIEWED FINANCIAL STATEMENTS: Company generated financial statements, including balance sheet, statement of earnings and retained income for the most recent three years. The Chief Financial Officer of the corporation, a partner, or owner, as appropriate, must certify these financial statements.

D. SOLE PROPRIETORSHIPS: Refer to C. If financial statements are not generated, please fill out and sign the Financial Statement form attached hereto. Submit one form for each of the most recent three years.

NOTE: ARRC reserves the right to ask for additional documentation if it is reasonably required to make a determination of integrity and responsibility relevant to the goods or services the Proposer will provide to ARRC if awarded a contract. All financial information provided is considered confidential and not subject to public disclosure under Alaska law.

PART VII -VERIFICATION AND ACKNOWLEDGMENT

The undersigned recognizes that the information submitted in the questionnaire herein is for the express purpose of inducing ARRC to award a contract, or to allow Proposer to participate in ARRC projects as contractor, subcontractor, vendor, supplier, or consultant. The undersigned has read and understands the instructions for completing this Questionnaire.

STATE OF _____

COUNTY OF _____

I, (printed name) _____, being first duly sworn, state that I am the (title) _____ of Proposer. I certify that I have read and understood the questions contained in the attached Questionnaire, and that to the best of my knowledge and belief all information contained herein and submitted concurrently or in supplemental documents with this Questionnaire is complete, current, and true. I further acknowledge that any false, deceptive or fraudulent statements on the Questionnaire will result in denial or termination of a contract.

I authorize ARRC to contact any entity named herein, or any other internal or outside resource, for the purpose of verifying information provided in the Questionnaire or to develop other information deemed relevant by ARRC.

Signature of Certifying Individual

Date

Subscribed and sworn to before me this _____ day of _____, 20____

Signature of Notary

Notary Public in and for the State of _____

My Commission Expires: _____

NOTICE TO PROPOSERS

A material false statement, omission or fraudulent inducement made in connection with this Questionnaire is sufficient cause for denial of a contract award or revocation of a prior contract award, thereby precluding the Proposer from doing business with, or performing work for ARRC, either as a vendor, prime contractor, subcontractor, consultant or subconsultant for a period of five years. In addition, such false submission may subject the person and/or entity making the false statement to criminal charges under applicable state and/or federal law.

Financial Statement

To be completed by Proposers that do not produce company generated financial statements, including balance sheet, statement of earnings and retained income for the most recent three years (one sheet per year.)

ASSETS

Cash on Hand and in Banks	\$ _____
Account and Notes Receivable	\$ _____
Fixed Assets (net of depreciation)	\$ _____
Other Assets	\$ _____
 Total Assets	 \$ _____

LIABILITIES

Accounts Payable	\$ _____
Notes Payable to Banks in next twelve months	\$ _____
Notes Payable to Others	\$ _____
Taxes Payable	\$ _____
 Long Term Liabilities (More than twelve months)	 \$ _____
Other Liabilities	\$ _____
 Total Liabilities	 \$ _____
 Net Worth	 \$ _____

INCOME FROM OPERATIONS

Revenue	\$ _____
Interest	\$ _____
Cost of Goods Sold (if appropriate)	\$ _____
 Gross Profit	 \$ _____
 General & Administrative Expenses	 \$ _____
Depreciation	\$ _____
Interest Paid	\$ _____
 Net Gain or Loss	 \$ _____

I hereby certify that the above information is true and accurate to the best of my knowledge and belief. I understand false statements may result in denial of a contract, and possible debarment for a period of five years.

Signature of Owner or Officer

Date Signed

Company Name

For the Year Ended

Federal ID #

SECTION F

*****SPACE INTENTIONALLY LEFT BLANK*****

GENERAL TERMS AND CONDITIONS
(Supply Contracts)
(Revised 4/17/08)

The following terms and conditions supersede the terms and conditions on the reverse side of ARRC's purchase order to the extent that they are inconsistent therewith and shall be deemed to have the same force and effect as though expressly stated in any such purchase order into which this document is incorporated.

1. Definitions.

"ARRC" shall mean the Alaska Railroad Corporation.

"Vendor" shall mean the person or entity entering into the contract to provide the supplies specified therein for ARRC.

"Contract" shall mean these General Terms and Conditions, the contract form to which they are annexed, and all other terms, conditions, schedules, appendices or other documents attached to the contract form or incorporated by reference therein.

"Supplies" shall mean the equipment, goods, materials or other items to be provided by Vendor to ARRC under the contract.

2. Inspection and Reports. ARRC may inspect all of the Vendor's facilities and activities under this contract in accordance with the provisions of ARRC Procurement Rule 1600.9. The Vendor shall make progress and other reports in the manner and at the times ARRC reasonably requires.

3. Claims. Any claim by Vendor for additional compensation or equitable adjustment arising under this contract which is not disposed of by mutual agreement must be made by Vendor in accordance with the time limits and procedures specified in sections 1800.12 et seq. of ARRC's Procurement Rules, which by this reference are hereby incorporated herein.

4. Nondiscrimination.

4.1 The Vendor may not discriminate against any employee or applicant for employment because of race, religion, color, national origin, ancestry, physical or mental handicap, sex, marital status, change in marital status, pregnancy or parenthood when the reasonable demands of the positions do not require distinction on the basis of age, physical handicap, sex, marital status, changes in marital status, pregnancy, or parenthood. To the extent required by law, the Vendor shall take affirmative action to insure that the applicants are considered for employment and that employees are treated during employment without unlawful regard to their race, color, religion, national origin, ancestry, physical or mental handicap, age, sex, marital status, changes in marital status, pregnancy or parenthood. This action must include, but need not be limited to, the following: employment, upgrading, demotion, transfer, recruitment or recruitment advertising, layoff or termination, rates of pay or other forms of compensation, and selection for training including apprenticeship. The Vendor shall post in conspicuous places, available to employees and applicants for employment, notices setting out the provisions of this paragraph.

4.2 The Vendor shall cooperate fully with ARRC efforts which seek to deal with the problem of unlawful discrimination, and with all other ARRC efforts to guarantee fair employment

practices under this contract, and promptly comply with all requests and directions from the State Commission for Human Rights or any of its officers or agents relating to prevention of discriminatory employment practices.

4.3 Full cooperation in Paragraph 4.2 includes, but is not limited to, being a witness in any proceeding involving questions of unlawful discrimination if that is requested by any official or agency of the State of Alaska; permitting employees of the Vendor to be witnesses or complainants in any proceeding involving questions of unlawful discrimination, if that is requested by any official or agency of the State of Alaska; participating in meetings; submitting periodic reports on the equal employment aspects of present and future employment; assisting inspection of the Vendor's facilities; and promptly complying with all State directives considered essential by any office or agency of the State of Alaska to insure compliance with all federal and state laws, regulations, and policies pertaining to the prevention of discriminatory employment practices.

4.4 Failure to perform under this section constitutes a material breach of the contract.

5. Cancellation/Termination.

5.1 ARRC may, for its sole convenience, cancel this contract in whole or in part, at any time by giving written notice of its intention to do so. In the event of such cancellation, Vendor shall be entitled to receive payment in accordance with the payment provisions of this contract for supplies delivered to ARRC and, as to work in progress prior to receipt of notice, ARRC shall pay Vendor only for direct expenditures on work specifically identified to this contract. Vendor shall not be paid for any work done after receipt of a notice of cancellation or for any costs incurred by Vendor's suppliers or subcontractors which Vendor could reasonably have avoided. However, in no event shall ARRC be liable for incidental, consequential, or punitive damages, overhead or other direct or indirect costs, or lost profits. Payments made under this contract shall not exceed the aggregate price specified in this contract.

5.2 In addition to ARRC's right to cancel this contract for its convenience, ARRC may, by written notice of default to Vendor, terminate the contract in whole or in part in the following circumstances:

(1) The Vendor refuses or fails to perform its obligations under the contract, or fails to make progress so as to significantly endanger timely completion or performance of the contract in accordance with its terms, and Vendor does not cure such default within a period of ten (10) days after receipt of written notice of default from ARRC or within such additional cure period as ARRC may authorize; or

(2) Reasonable grounds for insecurity arise with respect to Vendor's expected performance and Vendor fails to furnish adequate assurance of due performance (including assurance of performance in accordance with the time requirements of the contract) within ten (10) days after receipt of a written request by ARRC for adequate assurance; or

(3) Vendor becomes insolvent or makes an assignment for the benefit of creditors or commits an act of bankruptcy or files or has filed against it a petition in bankruptcy or reorganization proceedings.

5.3 Upon receipt of a notice of cancellation or termination, Vendor shall immediately discontinue all work and it shall immediately cause any of its suppliers or subcontractors to cease such work unless the notice directs otherwise. In the event of termination for default, Vendor shall

be liable for any damage to ARRC resulting from the Vendor's nonperformance. The rights and remedies of ARRC provided in this section shall not be exclusive and are in addition to any other rights and remedies provided by law.

6. No Assignment or Delegation. The Vendor may not assign, subcontract or delegate this contract, or any part of it, or any right to any of the money to be paid under it, except with the prior written consent of ARRC. No such approval shall relieve Vendor from any of its obligations or liabilities under this contract.

7. Independent Contractor. The Vendor's relationship to ARRC in performing this contract is that of an independent contractor and nothing herein shall be construed as creating an employer/employee relationship, partnership, joint venture or other business group or concerted action.

8. Payment of Taxes. As a condition of performance of this contract, the Vendor shall pay all federal, state, and local taxes incurred by the Vendor and shall require their payment by any subcontractor or any other persons in the performance of this contract. Satisfactory performance of this paragraph is a condition precedent to payment by ARRC under this contract.

9. Governing Law. This contract, and all questions concerning the capacity of the parties, execution, validity (or invalidity) and performance of this contract, shall be interpreted, construed and enforced in all respects in accordance with the laws of the State of Alaska.

10. Alaska Executive Branch Ethics Act Requirements. No officer or employee of the State of Alaska or of the ARRC and no director of the ARRC or legislator of the state shall be admitted to any share or part of this contract or to any benefit that may arise therefrom. Vendor shall exercise reasonable care and diligence to prevent any actions or conditions which could be a violation of Alaska Statute 39.52 et seq. Vendor shall not make or receive any payments, gifts, favors, entertainment, trips, secret commissions, or hidden gratuities for the purpose of securing preferential treatment or action from or to any party. This obligation will apply to the activities of Vendor's employees and agents in their relations with ARRC employees, their families, vendors, subcontractors, and third parties arising from this contract and in accomplishing work hereunder. Certain gratuities may be given or accepted if:

- (1) there is no violation of any law or generally accepted ethical standards;
- (2) the gratuity is given as a courtesy for a courtesy received and does not result in any preferential treatment or action;
- (3) the gratuity is of limited value (less than \$150) and could not be construed as a bribe, payoff or deal; and
- (4) public disclosure would not embarrass ARRC.

ARRC may cancel this contract without penalty or obligation in the event Vendor or its employees violate the provisions of this section.

11. Covenant Against Contingent Fees. Vendor warrants that it has not employed or retained any company or person, other than a bona fide employee working solely for Vendor, to solicit or secure this contract, and that it has not paid or agreed to pay any person, company, individual, or firm any commission, gift, percentage, fee, contingent upon or resulting from the award or making of

this contract. For the breach or violation of this warranty, ARRC may terminate this contract without liability and, at its discretion, deduct from the contract price or otherwise recover the full amount of the commission, percentage, gift, or fee.

12. Warranty. Vendor warrants that the equipment, goods, materials or other supplies sold to ARRC under this contract: (a) shall be of good quality and free from all defects and deficiencies in workmanship, material and design; (b) shall be fit, suitable and operate successfully for their intended purpose; (c) shall be new; (d) shall be free from all liens, claims, demands, encumbrances and other defects in title; and (e) shall conform to the specifications, if any, stated in the contract. Vendor shall honor all guarantees and warranties offered by the manufacturer of the equipment, goods, materials or other supplies provided under this contract.

The rights and remedies provided for in this section are in addition to any other remedies provided by law.

13. Indemnification. The Vendor shall indemnify, save harmless and defend ARRC, its officers, agents and employees from all liability of any nature or kind, including costs and expenses, for all actions or claims resulting from injuries or damages sustained by any person or property arising directly or indirectly as a result of any error, omission, product defect, negligent or wrongful acts of the Vendor, its subcontractors or anyone directly or indirectly employed by them in the performance of this contract, provided that Vendor's aforesaid indemnity and hold harmless agreement shall not be applicable to any liability based upon the sole negligence of ARRC.

14. ARRC's Rights Not Waived by Payment. No payment made by ARRC shall be considered as acceptance of satisfactory performance of Vendor's obligations under this contract. Nor shall any payment be construed as acceptance of substandard or defective work or as relieving Vendor from its full responsibility under the contract.

15. Nonwaiver. A party's failure or delay to insist upon strict performance of any of the provisions of this contract, to exercise any rights or remedies provided by this contract or by law, or to notify the other party of any breach of or default under this contract shall not release or relieve the breaching or defaulting party from any of its obligations or warranties under this contract and shall not be deemed a waiver of any right to insist upon strict performance of this contract or any of the rights or remedies as to any subject matter contained herein; nor shall any purported oral modification or rescission of this contract operate as a waiver of any of the provisions of this contract. The rights and remedies set forth in any provision of this Agreement are in addition to any other rights or remedies afforded the nonbreaching or nondefaulting party by any other provisions of this contract, or by law.

16. Savings Clause. If any one or more of the provisions contained in thee contract shall, for any reason, be held to be invalid, illegal or unenforceable in any respect, such invalidity, illegality or unenforceability shall not affect any other provisions of this contract, but this contract shall be construed as if such invalid, illegal or unenforceable provision had never been contained herein.

17. Headings. The headings of sections and paragraphs of this contract are for convenience of reference only and are not intended to restrict, affect, or be of any weight in the interpretation or construction of the provisions of such sections or paragraphs.

18. Forum Selection. The parties shall not commence or prosecute any suit, proceeding or claim to enforce the provisions of the contract, to recover damages for breach or default under the contract, or otherwise arising under or by reason of the contract, other than in the courts of the

State of Alaska for the Third Judicial District at Anchorage. The parties hereby irrevocably consent to the jurisdiction of said courts.

19. Conflict of Interest. Vendor shall act to prevent any actions or conditions which could result in a conflict with ARRC's best interests. This obligation shall apply to the activities of Vendor's employees and agents in their relationships with ARRC's employees, their families, vendors, subcontractors and third parties accomplishing work under this contract.

20. Publicity. Vendor shall not release any information for publication or advertising purposes relative to this contract or to the material, equipment and other supplies furnished under this contract without the prior written consent of the ARRC.

21. Audit. ARRC has the right to audit at reasonable times the accounts and books of the Vendor in accordance with the provisions of ARRC Procurement Rule 1600.10.

22. Internal Controls and Record Keeping. Vendor shall keep full and accurate records and accounts of all of its activities in connection with this contract, including, without limitation, reasonable substantiation of all expenses incurred and all property acquired hereunder.

23. Force Majeure. Neither ARRC nor Vendor shall be responsible for failure to perform the terms of this contract when performance is prevented by force majeure, provided that: (1) notice and reasonably detailed particulars are given to the other party and (2) the cause of such failure or omission is remedied so far as possible with reasonable dispatch. The term "force majeure" shall mean acts of God, earthquakes, fire, flood, war, civil disturbances, governmentally imposed rules, regulations or other causes whatsoever, whether similar or dissimilar to the causes herein enumerated, which is not within the reasonable control of either party and which through the exercise of due diligence, a party is unable to foresee or overcome. In no event shall force majeure include normal or reasonably foreseeable or reasonably avoidable operational delays.

24. Set Off. If ARRC has any claim against the Vendor related or unrelated to this contract, it may set off the amount of such claim against any amount due or becoming due under this contract.

25. Observance of Rules. The Vendor's personnel performing work hereunder on ARRC's premises shall observe all fire prevention, security, and safety rules in force at the site of the work.

26. No Third-Party Beneficiary Rights. No provision of this contract shall in any way inure to the benefit of any third parties (including the public at large) so as to constitute any such person a third-party beneficiary of the contract or of any one or more of the terms hereof, or otherwise give rise to any cause of action in any person not a party hereto.

27. Entire Agreement. This contract represents the entire and integrated agreement between ARRC and the Vendor and supersedes all prior negotiations, representations, or agreements, either written or oral. This contract may be amended only by a written instrument signed by both ARRC and the Vendor.

28. Invalid Provision. The invalidity or unenforceability of any provision of this contract shall not affect the other provisions hereof, and this contract shall be construed in all respects as if such invalid or enforceable provisions were omitted.

29. Packing, Marking and Shipping. All supplies shall be properly packaged to prevent damage or deterioration and to obtain the lowest transportation rates. ARRC will pay no charge for

preparation, crating, dunnage or other materials unless separately stated in this contract. Each packing slip, bill of lading, invoice, container, tag and correspondence shall bear the applicable contract number and the location to which the supplies are to be shipped. A waterproof Master Packing Slip shall accompany each shipment and shall be included in one of the packages marked "Packing Slip Inside" or in the case of a carload shipment, be conspicuously displayed on the inside of the freight car. The original Bill of Lading shall be mailed to the attention of ARRC Supply Management Department on date of shipment.

30. Improper Delivery. If for any reason the Contractor fails to make timely delivery, ARRC may, at its option, approve a revised delivery schedule, request shipment via air or expedited routing (at Contractor's expense) or terminate this contract without any liability. Contractor will not, however, be liable for damages resulting from delays in delivery due to causes beyond Contractor's reasonable control, provided Contractor promptly notifies ARRC in writing of any such delay or expected delay as soon as such delay or expected delay becomes or should have become apparent. The remedies provided in this paragraph shall be cumulative and in addition to any other or further remedies ARRC may have.

31. Shipping Release. The Contractor shall not ship any of the supplies covered by this contract, unless specific delivery dates or written instructions are furnished to Contractor by ARRC. ARRC shall have no responsibility for supplies for which delivery dates or other written instructions have not been provided. Shipments in excess of those authorized may be returned to Contractor and Contractor shall pay ARRC for all expenses incurred in connection with such shipments. ARRC may change or temporarily suspend shipping schedules specified in this contract or written instructions.

32. Inspection/Rejection. Notwithstanding prior shipment, all supplies are subject to inspection and acceptance by ARRC within a reasonable time after they arrive at destination. ARRC shall notify Contractor if any supplies are rejected for any reason or if there are shortages. At ARRC's election, rejected supplies may be held for Contractor's account or returned to Contractor at Contractor's risk and expense. No replacement or correction of defective or nonconforming supplies shall be made by Contractor without written authorization from ARRC. Contractor shall promptly ship any shortages after notification of the same by ARRC.

33. Compliance with Laws and Regulations. Contractor agrees that in the performance of this contract it will comply with the requirements of all applicable Federal, State and local statutes, regulations and orders and will indemnify and save ARRC harmless from any claim, loss or damage arising from Contractor's violation or alleged violation of them.

34. Reduction in Contractor's Cost. Any reduction in Contractor's costs resulting from a reduction in freight rates, custom duties, import taxes, excise taxes and/or sales taxes from those in force on the date of the contract is to be paid to ARRC by Contractor in reduction of the price of the ordered supplies.

35. Payments. Payments for supplies furnished under this contract will be due thirty (30) days after the later of (1) receipt of the supplies established in the contract, (2) receipt of proper billing for such supplies, and (3) receipt of all documents required by this contract. ARRC shall not be liable for interest charges on late payments.