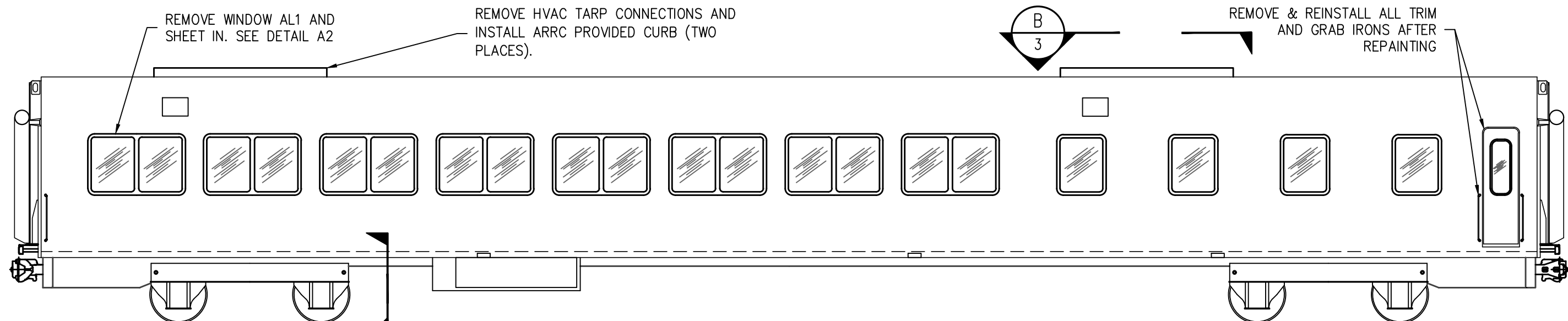


P:\Engineering\Motive Power and Equipment\2. Passenger Equipment Rehab\2022 Projects\ARR 301 Heavy Paint\ARR 301 Point and Repairs.dwg VPort: 11x17 Plot Style: -----



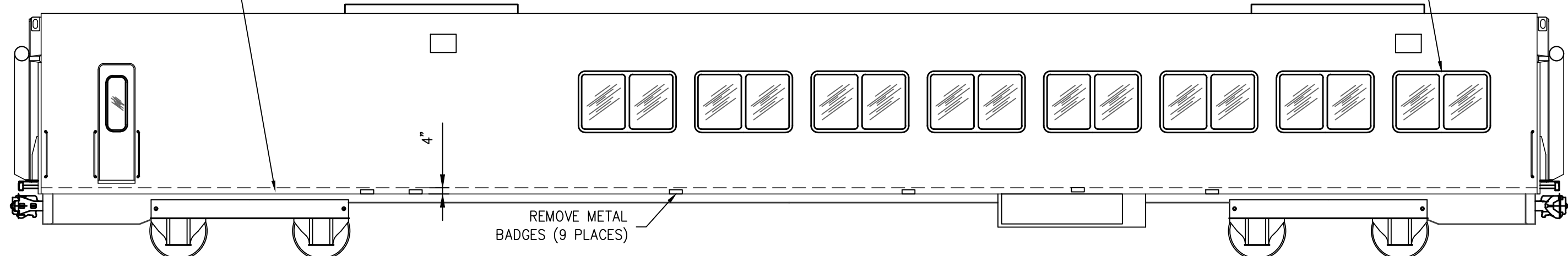
A End

B End

A
1 ARR 301 LEFT SIDE ELEVATION
SCALE: NTS

REMOVE AND REPLACE LOWER 4" OF SIDE SHEETING, FULL PERIMETER OF CAR. SEE DETAIL E2

REMOVE WINDOW AR1 AND SHEET IN. SEE DETAIL A2



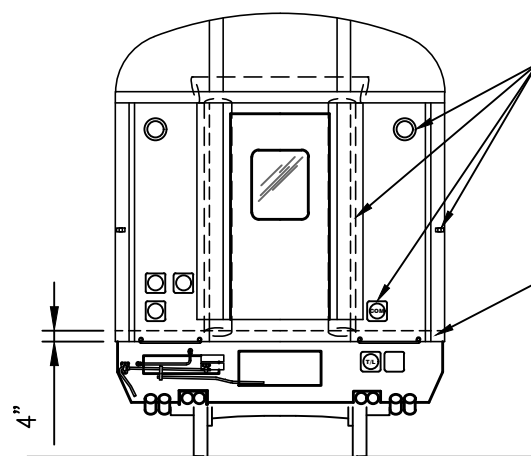
B End

A End

B
1 ARR 301 RIGHT SIDE ELEVATION
SCALE: NTS

REMOVE & REINSTALL ALL TRAINLINE RECEPTACLES, BLUE FLAG BRACKETS, INTER-CAR DIAPHRAGMS AND END LIGHTS AFTER REPAINTING.

REMOVE AND REPLACE LOWER 4" OF END SILL SHEETING WHERE VISIBLY CORRUGATED OR SHOWING SIGNS OF DECAY.



C
1 ARR 301 TYPICAL END ELEVATION
SCALE: NTS

ALASKA RAILROAD CORPORATION
ENGINEERING SERVICES
P.O. BOX 107500, ANCHORAGE, ALASKA 99510-7500

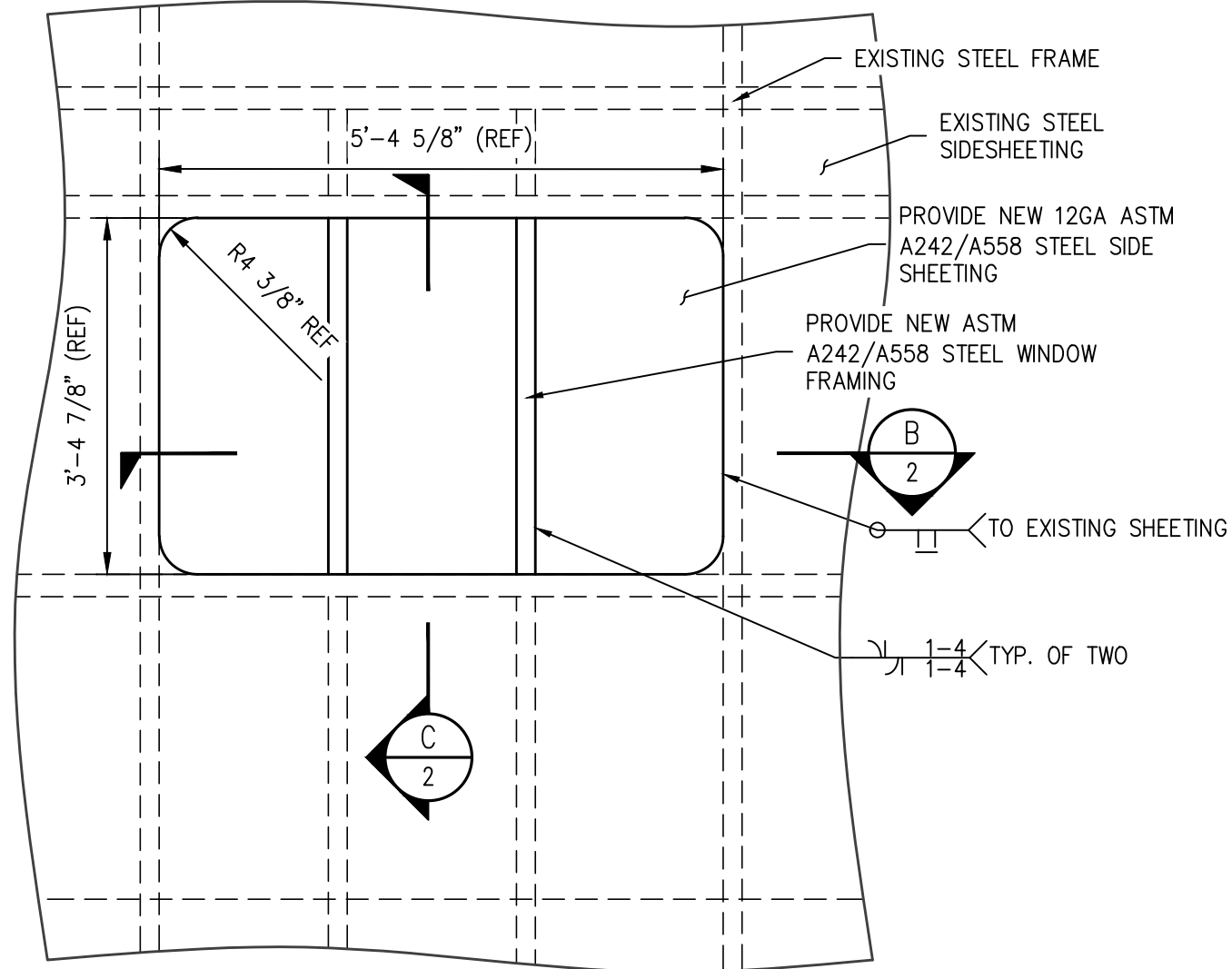
PROJECT : **MOTIVE POWER AND EQUIPMENT PASSENGER COACHES**

TITLE: **ARR 301 PAINT AND REPAIRS ELEVATION VIEWS**

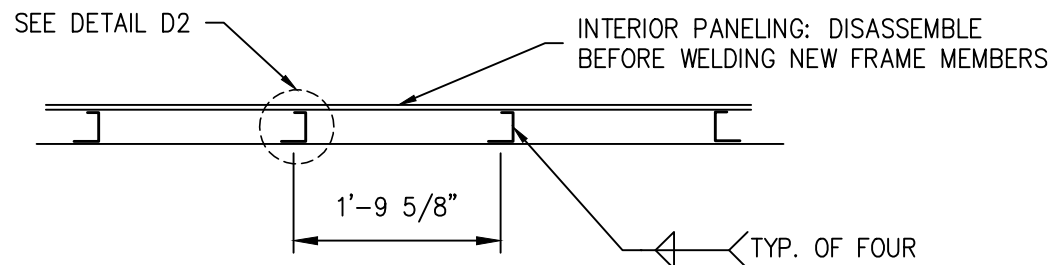
DESIGNED BY: CDL	SCALE : AS NOTED	DWG NO.
CHECKED BY: ARRC	DATE : MAY 2022	1 OF 4
APPROVED BY: ARRC		

REV.	DATE	BY	REVISION

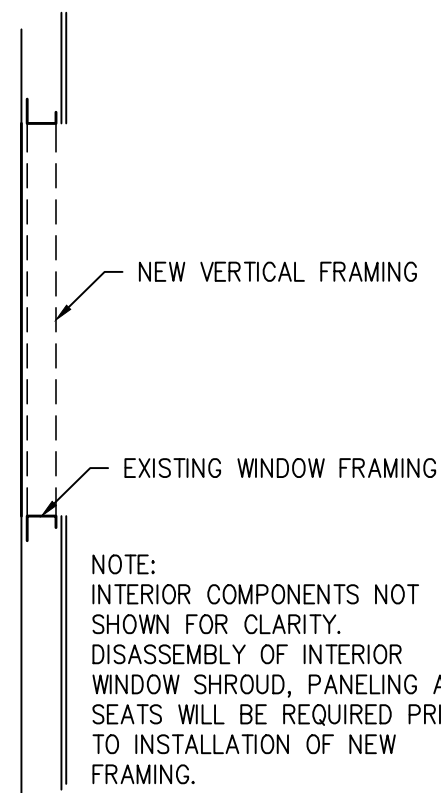
P:\Engineering\Motive Power and Equipment\2. Passenger\Passenger Equipment Rehab\2022 Projects\ARR 301 Heavy Point and Repairs.dwg VPort: 11x17 (2) Plot Style: -----



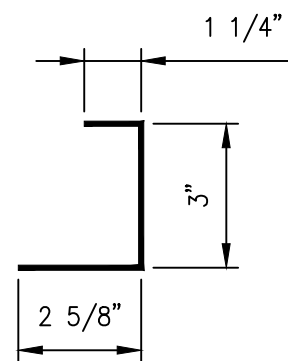
A
2 ARR 301 WINDOW DETAIL
SCALE: NTS



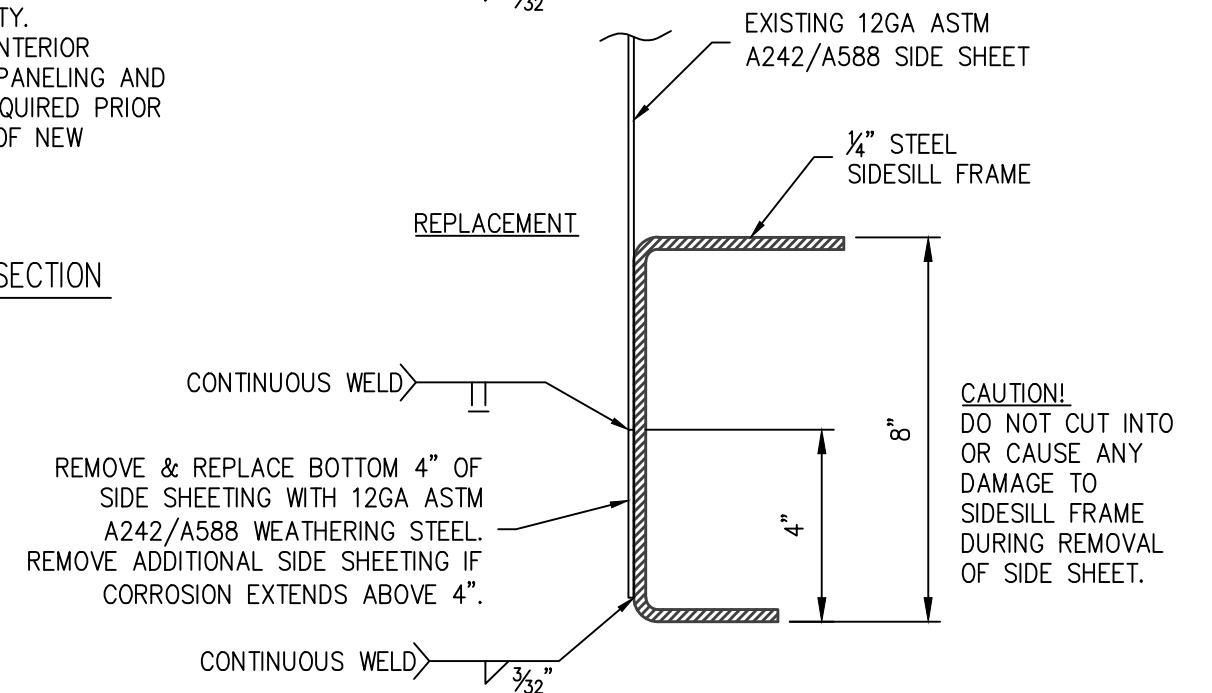
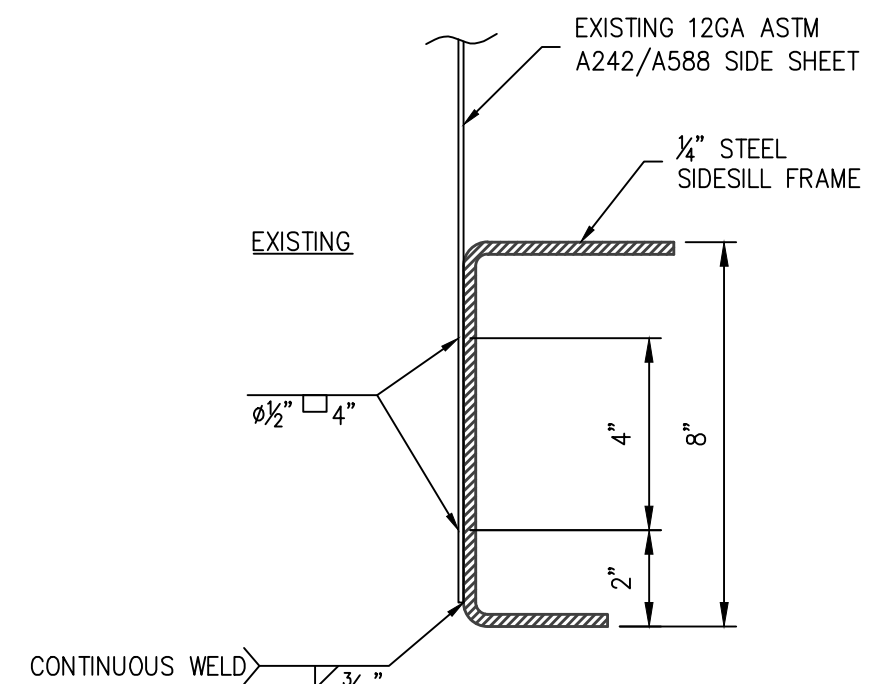
B
2 ARR 301 WINDOW SECTION
SCALE: NTS



C
2 ARR 301 WINDOW SECTION
SCALE: NTS



D
2 NEW WINDOW FRAME SECTION
FABRICATE FROM 3/16 ASTM A242 OR A588



E
2 SIDE SILL SECTION; EXISTING & REPLACEMENT
SCALE: NTS

REV.	DATE	BY	REVISION

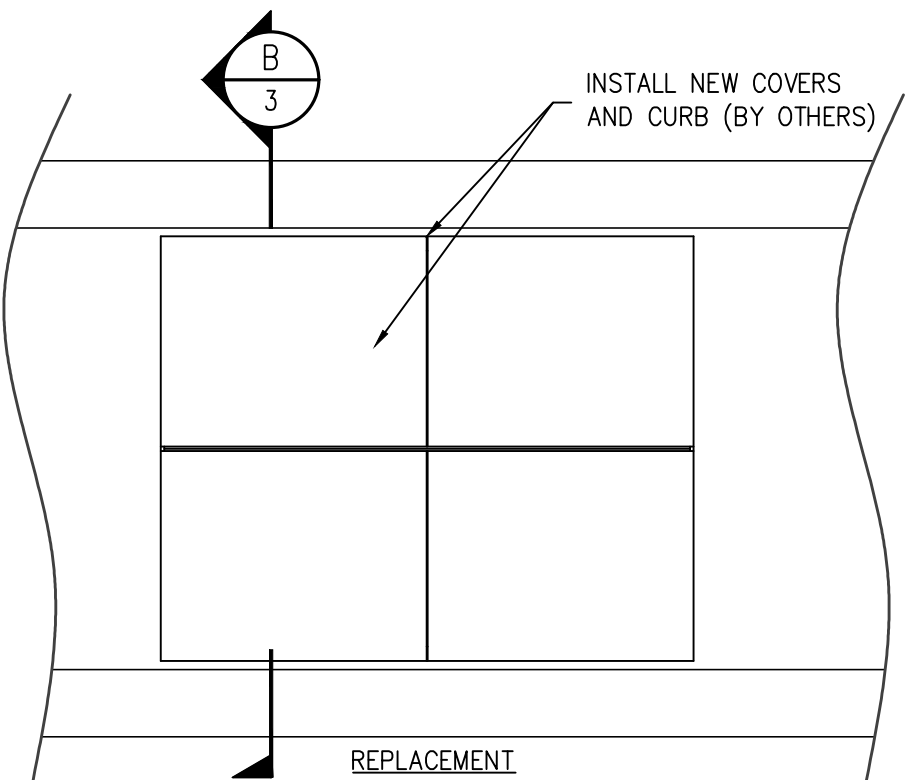
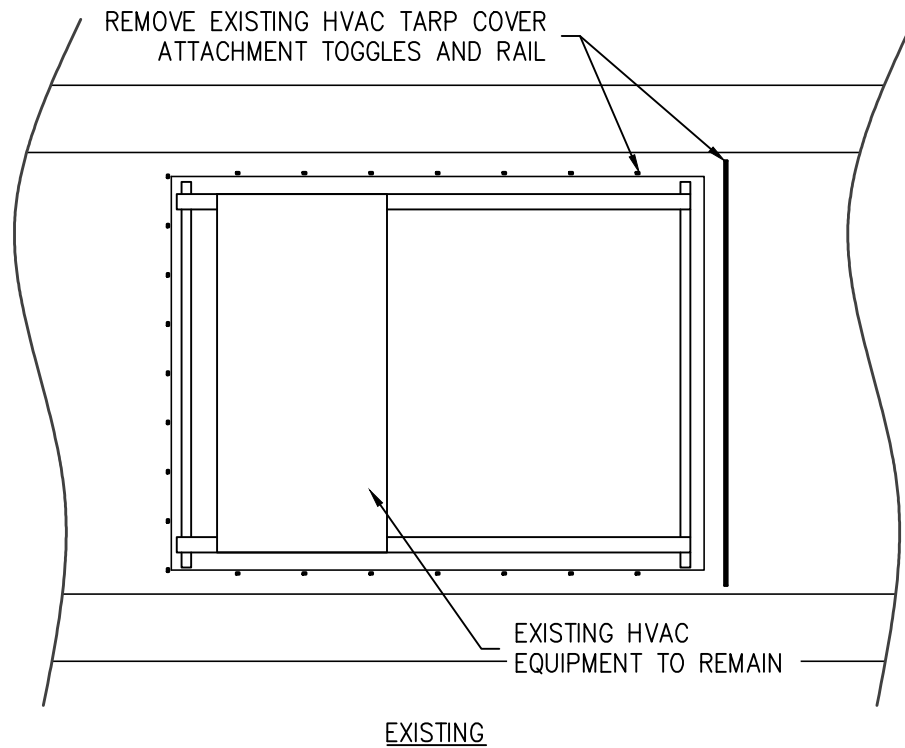
ALASKA RAILROAD CORPORATION
ENGINEERING SERVICES
P.O. BOX 107500, ANCHORAGE, ALASKA 99510-7500

PROJECT : **MOTIVE POWER AND EQUIPMENT PASSENGER COACHES**

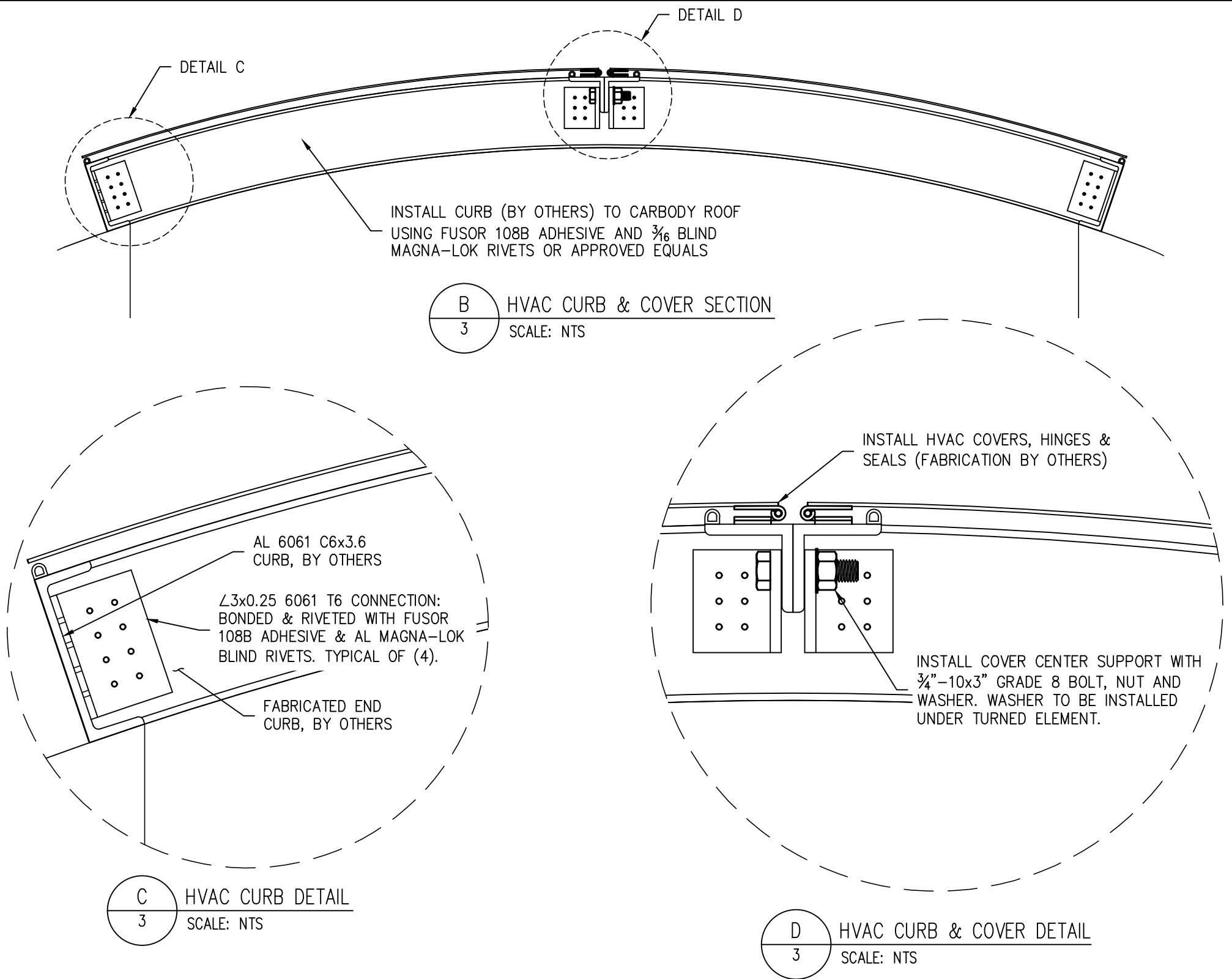
TITLE: **ARR 301 PAINT AND REPAIRS WINDOW SHEETING AND SIDE SILL REPAIR**

DESIGNED BY: CDL SCALE : AS NOTED DWG NO. 2 OF 4
 CHECKED BY: ARRC DATE : MAY 2022
 APPROVED BY: ARRC

P:\Engineering\Motive Power and Equipment\2. Passenger\Passenger Equipment Rehab\2022 Projects\ARR 301 Heavy Point and Repairs.dwg VPort: 11x17 (3) Plot Style: -----



A
3 HVAC COVERS - TOP VIEW EXISTING & REPLACEMENT
SCALE: NTS



B
3 HVAC CURB & COVER SECTION
SCALE: NTS

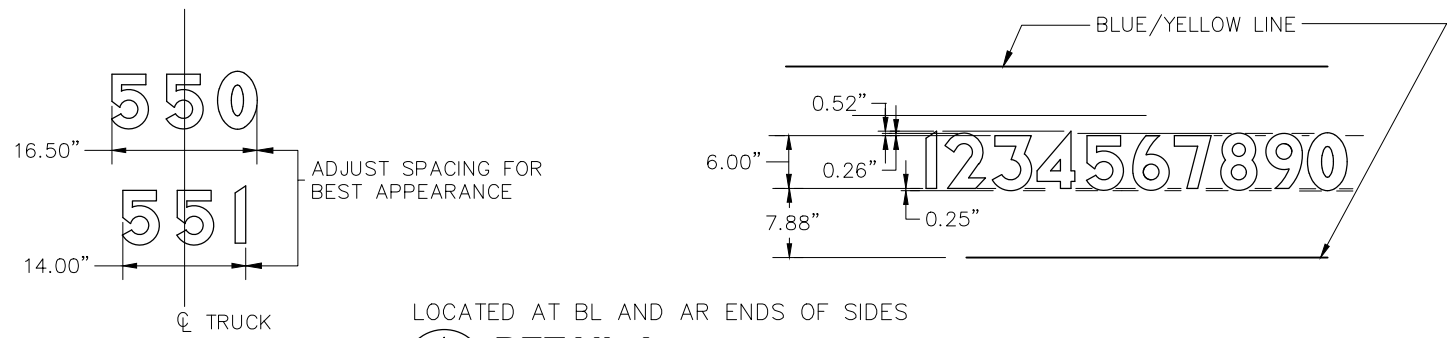
C
3 HVAC CURB DETAIL
SCALE: NTS

D
3 HVAC CURB & COVER DETAIL
SCALE: NTS

REV.	DATE	BY	REVISION

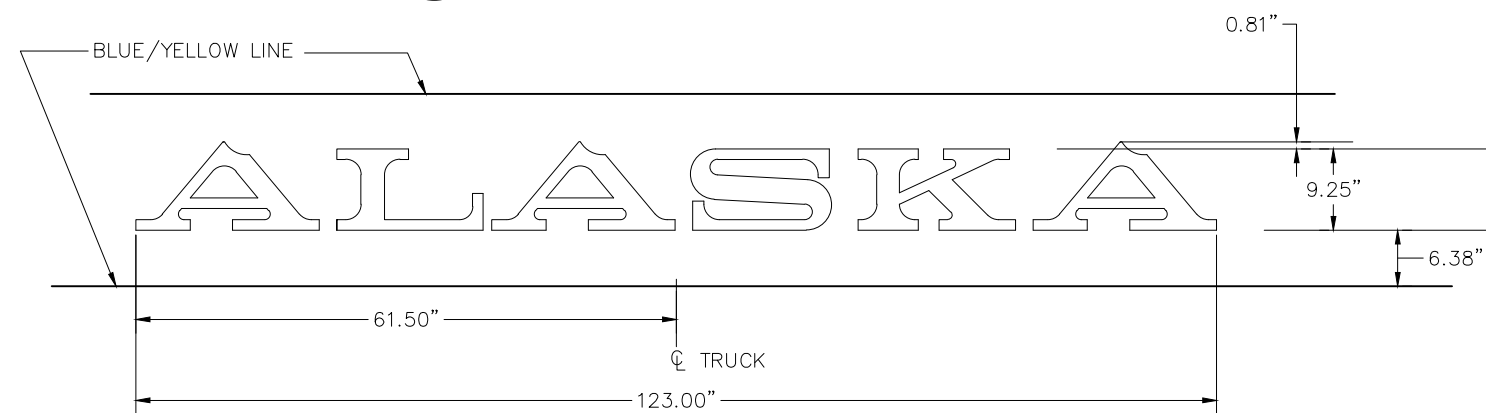
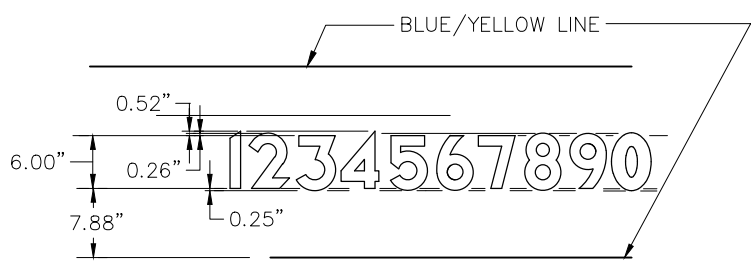
ALASKA RAILROAD CORPORATION ENGINEERING SERVICES P.O. BOX 107500, ANCHORAGE, ALASKA 99510-7500			
PROJECT :			
MOTIVE POWER AND EQUIPMENT PASSENGER COACHES			
TITLE:			
ARR 301 PAINT AND REPAIRS HVAC COVERS			
DESIGNED BY: <u>CDL</u>	SCALE : AS NOTED	DWG NO.	
CHECKED BY: <u>ARRC</u>	DATE : MAY 2022	3 OF 4	
APPROVED BY: <u>ARRC</u>			

P:\Engineering\Motive Power and Equipment\2. Passenger\Passenger Equipment Rehab\2022 Projects\ARR 301 Heavy Paint and Repairs.dwg VPort: ARR 301 STYLING Plot Style: -----



LOCATED AT BL AND AR ENDS OF SIDES

A
1
DETAIL A
NO SCALE



LOCATED AT BR AND AL ENDS OF SIDES

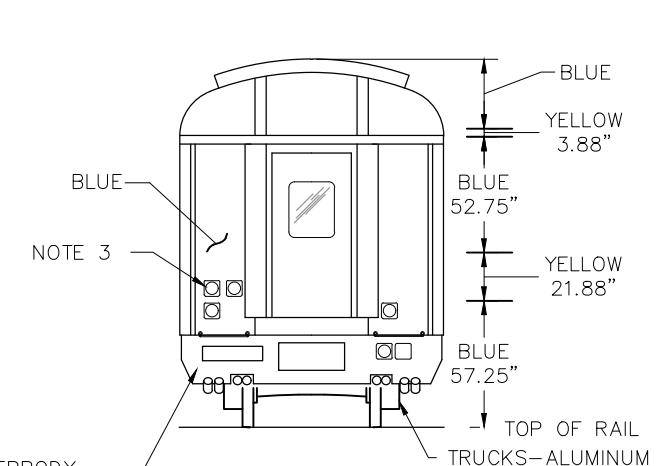
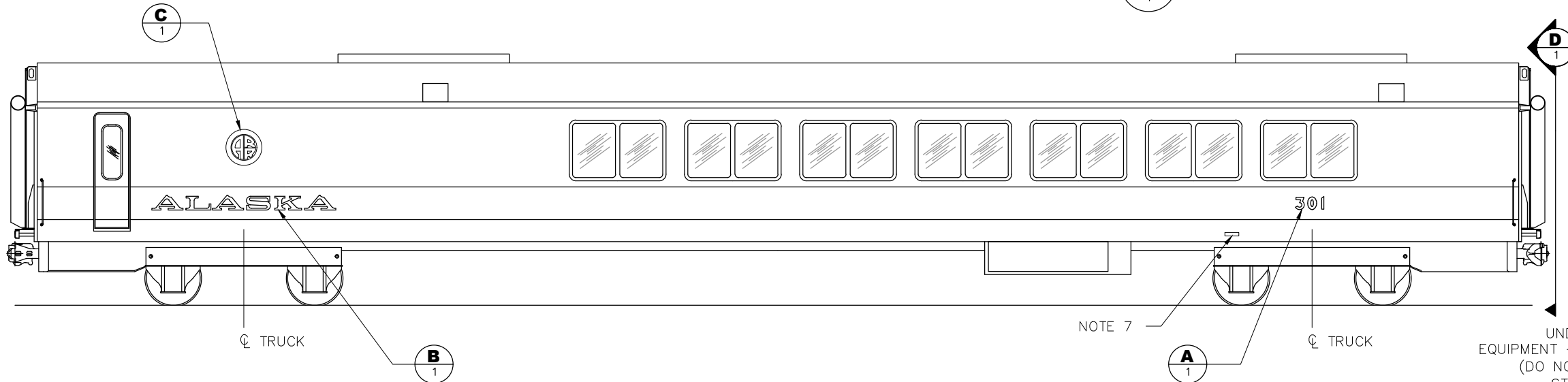
B
1
DETAIL B
NO SCALE

- GENERAL NOTES:**
- DO NOT PAINT STAINLESS STEEL, OTHER BRIGHT METAL, COUPLERS OR WHEELS.
 - ALL PAINTING TO BE IN ACCORDANCE WITH ARRC SPECIFICATION FOR PAINTING OF ROLLING STOCK.
 - COLOR CODE FOR TRAINLINE RECEPTACLES:
 COMMUNICATIONS LIGHT BLUE
 DUMMY WHITE
 POWER RED
 LOCOMOTIVE MU YELLOW
 - DETAILS OF GRAPHICS ARE DOCUMENTED IN THE AUTOCAD FILE OF THIS DRAWING.
 - DIMENSIONS SHOWN IN DETAIL E APPLY AT BODY BOLSTERS. LINES ARE TO FOLLOW CARBODY CAMBER.
 - INTERIOR OF VESTIBULES ARE CONSIDERED EXTERIOR. VERTICAL SURFACES AND CEILINGS ARE TO BE PAINTED BLUE.
 - PAINT ALL UNDER CAR EQUIPMENT BLACK, TRUCKS TO BE PAINTED ALUMINUM SILVER.
 - STAINLESS STEEL GRAB-IRONS TO REMAIN UNPAINTED, MILD STEEL GRAB IRONS MOUNTED TO A OR B ENDS PAINTED YELLOW.
 - AEI TAGS (2) ARE SIDE SPECIFIC; MARK AND REPLACE TO SAME SIDE, SAME LOCATION.
 - NEW RETRO-REFLECTIVE EMERGENCY ACCESS SIGNS WILL BE INSTALLED BY ALASKA RAILROAD.
 - DRAWING DOES NOT PURPORT TO SHOW CONSTRUCTION IN ABSOLUTE AND COMPLETE DETAIL.



24" DIAMETER LOGOTYPE.
 HORIZONTAL POSITION: CENTERED ABOVE ϕ OF TRUCK, LOCATED ONLY AT BR END.
 VERTICAL POSITION: CENTERED IN 52.75" BLUE STRIPE.

C
1
DETAIL C
NO SCALE



UNDERBODY EQUIPMENT - BLACK (DO NOT PAINT STAINLESS)

D
1
DETAIL D
NO SCALE

REV.	DATE	BY	REVISION

ALASKA RAILROAD CORPORATION ENGINEERING SERVICES P.O. BOX 107500, ANCHORAGE, ALASKA 99510-7500			
PROJECT :			
MOTIVE POWER AND EQUIPMENT PASSENGER COACHES			
TITLE:			
ARR 301 PAINT AND REPAIR PAINT AND STENCIL ARRANGEMENT			
DESIGNED BY: CDL	SCALE : AS NOTED	DWG NO.	
CHECKED BY: ARRC	DATE : MAY 2022	4 OF 4	
APPROVED BY: ARRC			